

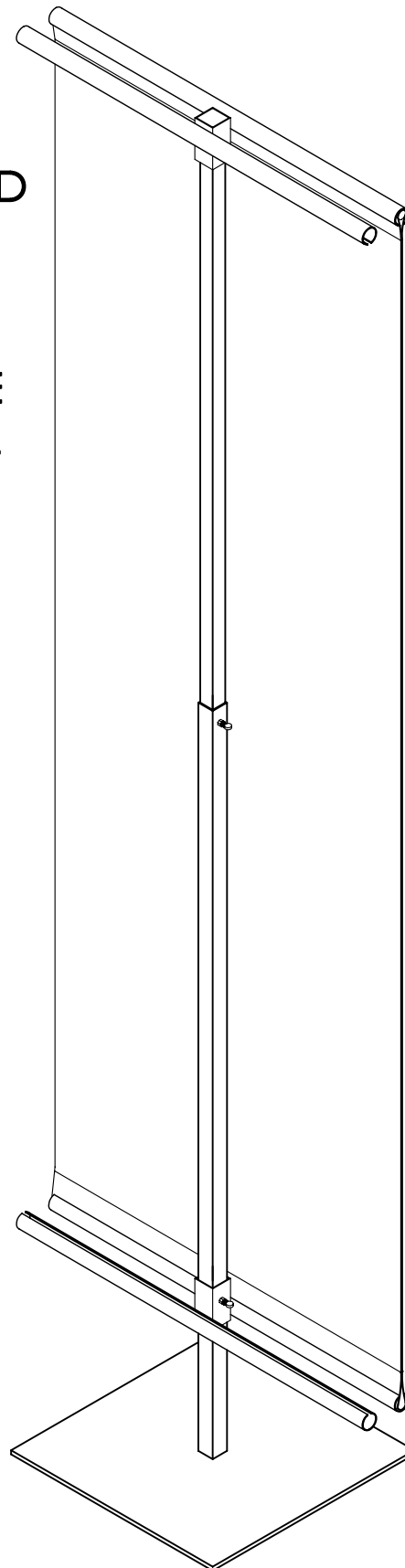
ASSEMBLY INSTRUCTION MANUAL

#15-196 BANNER STAND

NOTE:

BANNER STAND CAN BE USED WITH ONE OR TWO 2' X 6' BANNERS THAT ARE SOLD SEPARATELY.

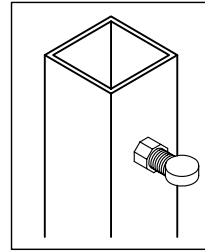
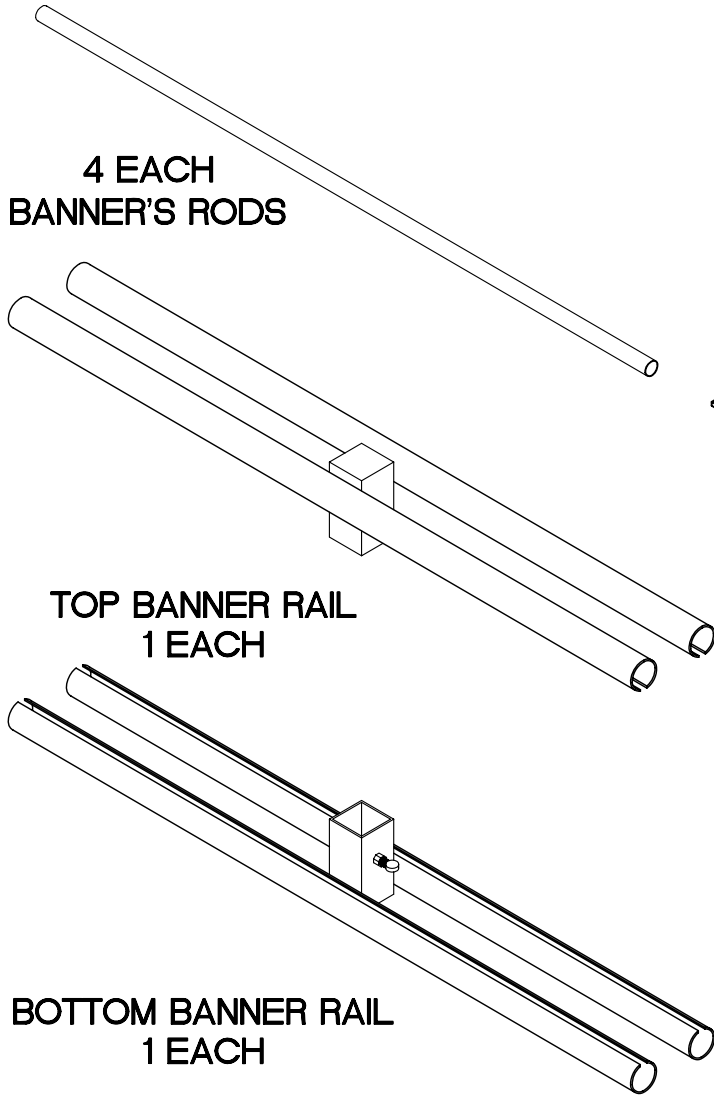
THE DRAWING SHOWS ONE BANNER FOR CLARIFICATION.



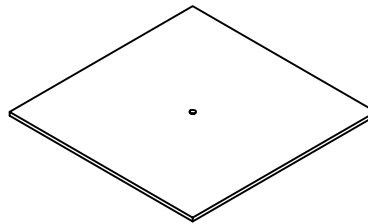
15-196 ASSEMBLY INSTRUCTION

BANNER STAND (PRINTED BANNERS SOLD SEPARATELY)

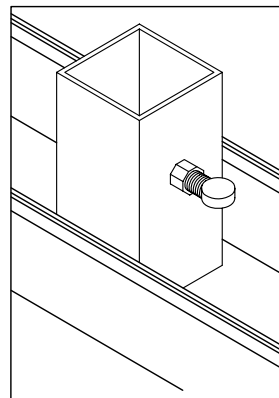
PARTS IN CARTON:



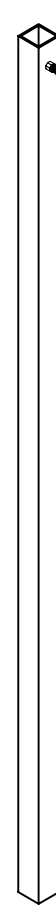
ENLARGE
DETAIL



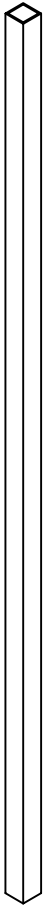
BASE FLOOR PLATE
1 EACH



ENLARGE
DETAIL



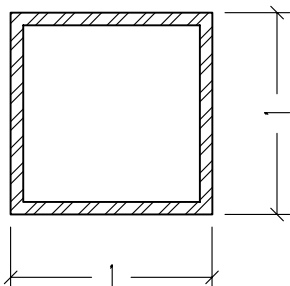
1" SQUARE
LOWER
POLE
1 EACH



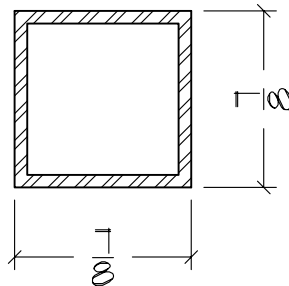
7/8" SQUARE
UPPER
POLE
1 EACH

NOTE: ITEMS BELOW ARE SHOWN ACTUAL SIZE, IF YOU ARE NOT SURE WHICH PART IS CORRECT THEN PLACE PIECE ON TOP OF DRAWING BELOW FOR HELP DURING ASSEMBLY.

NOTE: ALLEN WRENCH IS IN A PLASTIC BAG TAPED TO CARTON NEXT TO THE BASE PLATE



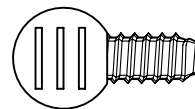
ACTUAL SIZE
1" SQUARE
LOWER POLE



ACTUAL SIZE
7/8" SQUARE
UPPER POLE



ALLEN WRENCH



ACTUAL SIZE
THUMB SET SCREW
ALREADY SCREWED
INTO EACH PIECE

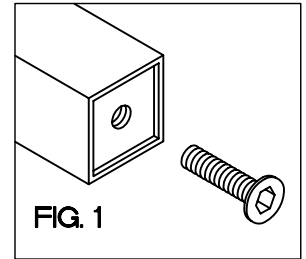
15-196 ASSEMBLY INSTRUCTION

BANNER STAND (PRINTED BANNERS SOLD SEPARATELY)

ASSEMBLY STEPS:

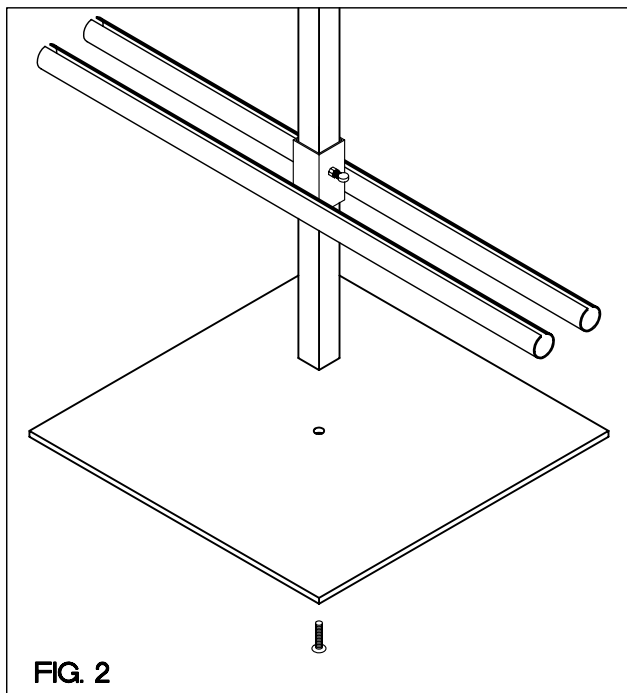
STEP 1

TAKE LOWER POLE AND REMOVE THE ALLEN HEAD SCREW FROM BOTTOM END (SEE FIG. 1)



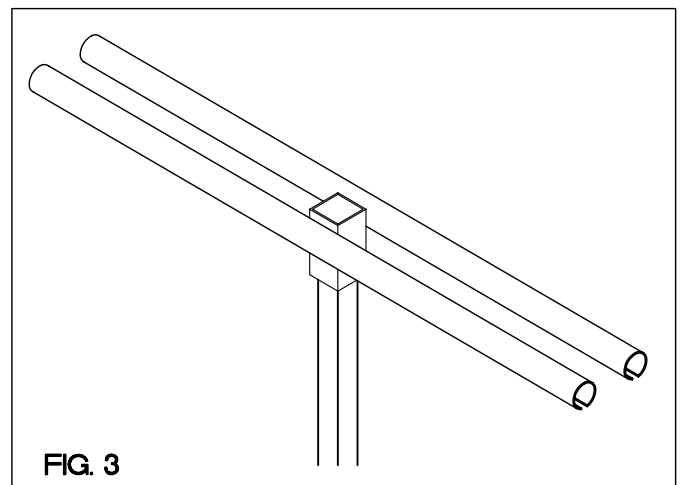
STEP 2

SLIDE THE BOTTOM END OF LOWER POLE (SHOWN IN FIG. 1 ABOVE) INTO THE BANNER RAIL WHERE THE SLOTS ARE FACING UP. SLIDE RAIL UP ON THE POLE ABOUT 6" INCHES FROM END AND TIGHTEN THUMB SET SCREW TO HOLD IN PLACE. TAKE THE SCREW THAT WAS REMOVE FROM POLE IN STEP 1 AND PUSH THROUGH HOLE IN BASE PLATE AND SCREW BACK INTO THE END OF POLE. TIGHTEN WITH ALLEN WRENCH. (SEE FIG. 2)



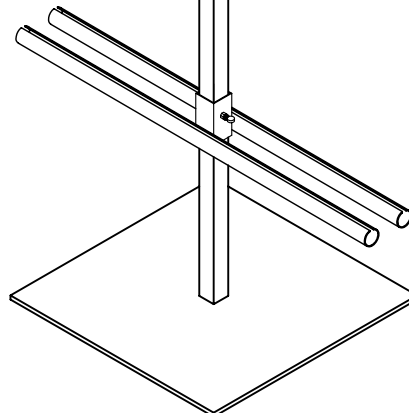
STEP 3

SLIDE TOP BANNER RAIL ONTO THE END OF UPPER POLE. MAKE SURE THE SLOTS ARE FACING DOWN. TIGHTEN THE THUMB SET SCREW TO HOLD IN PLACE (SEE FIG. 3)



STEP 4

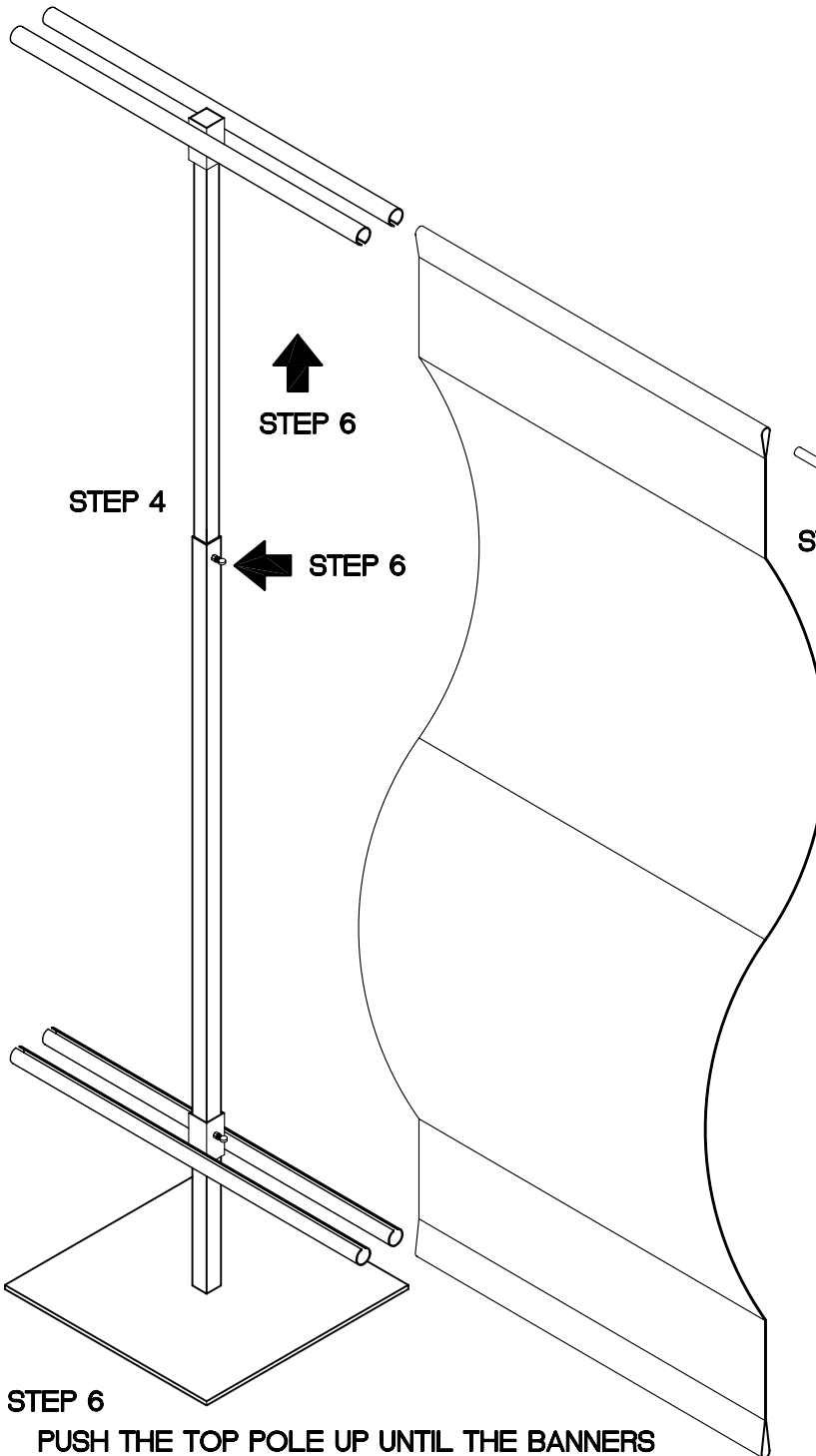
TAKE THE UPPER POLE WITH BANNER RAIL AT THE TOP AND SLIDE INTO THE LOWER POLE THAT IS ATTACHED TO THE BASE PLATE IN STEP 2. SLIDE UPPER POLE DOWN ABOUT HALF WAY. TIGHTEN THUMB SET SCREW TO HOLD IN PLACE SEE DRAWING AT THE RIGHT.



15-196 ASSEMBLY INSTRUCTION

BANNER STAND (PRINTED BANNERS SOLD SEPARATELY)

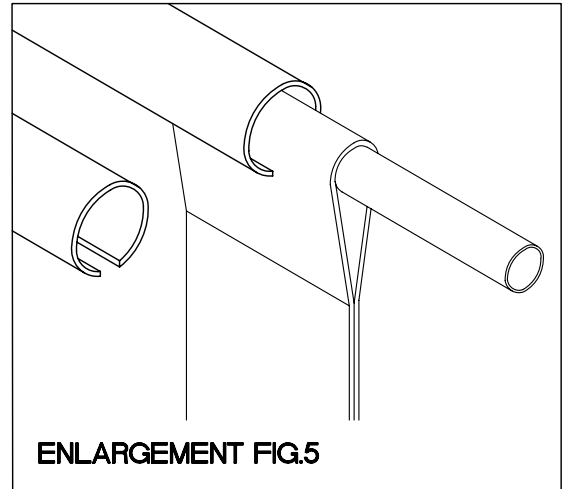
ASSEMBLY STEPS CONTINUES:



STEP 5

SLIDE THE BANNER RODS INTO THE TOP AND BOTTOM OF THE BANNER. SLIDE BOTH THE ROD AND BANNER INTO THE RAILS AT TOP AND BOTTOM OF THE STAND. (SEE ENLARGEMENT FIG. 5 BELOW)

STEP 5



ENLARGEMENT FIG.5

STEP 5

STEP 6

PUSH THE TOP POLE UP UNTIL THE BANNERS ARE TIGHTENED. TURN THE THUMB SET SCREW ON THE LOWER POLE TO LOCK THE UPPER POLE IN PLACE.

UNIT IS COMPLETE
SEE COVER FOR ASSEMBLED FIXTURE