

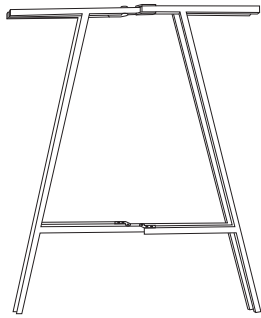
ASSEMBLY INSTRUCTION MANUAL
#60-121
(CHROME ECONOMY ROUND RACK)



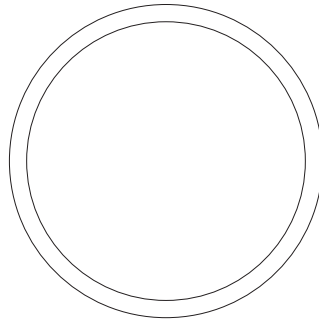
#60-121 ASSEMBLY INSTRUCTIONS

(CHROME ECONOMY ROUND RACK)

PARTS IN CARTON:



BASE
1 EACH



RING
1 EACH



RISER
4 EACH

STEP 1:
LOCATE: (1) BASE



(1)ea.

STEP 2: (SEE FIGURE 1)
STAND THE BASE UPRIGHT. TWO LEGS OF THE BASE WILL BE ABLE TO SWING OUT.

SWING OUT ONE LEG FROM THE BASE UNTIL IT IS FULLY EXTENDED 90 DEGREES FROM THE CENTER.

REPEAT THE ABOVE STEP TO THE REMAINING LEG TO COMPLETE THE BASE ASSEMBLY.

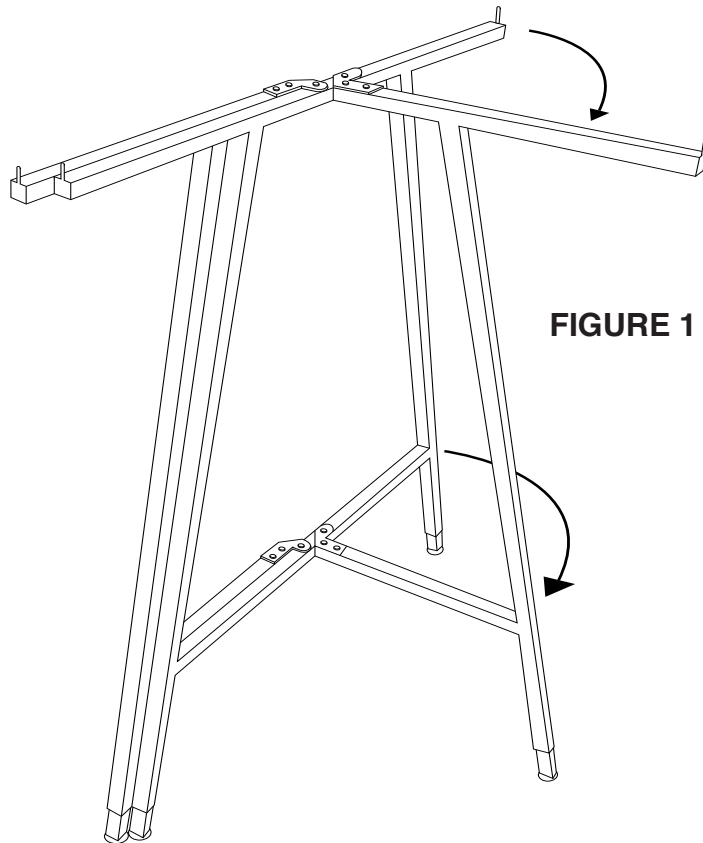
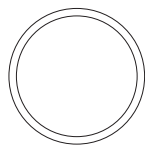


FIGURE 1

STEP 3:
LOCATE: (1) RING



(1)ea.

#60-121 ASSEMBLY INSTRUCTIONS

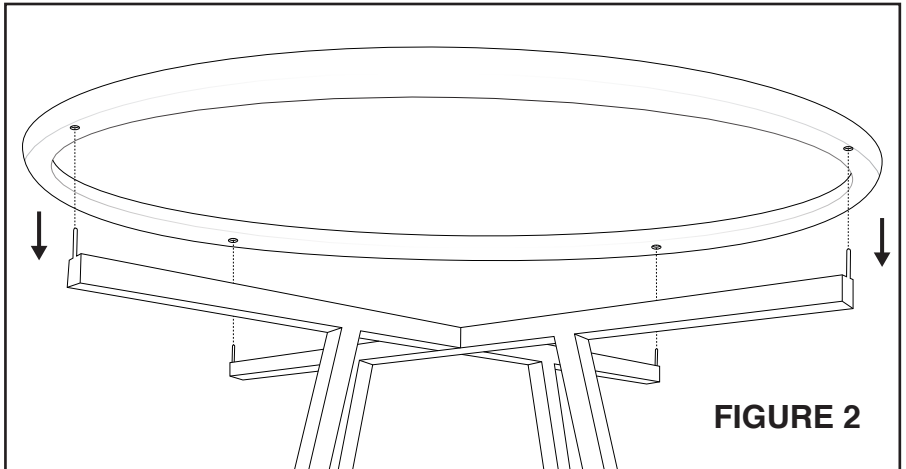
(CHROME ECONOMY ROUND RACK)

STEP 4: (SEE FIGURE 2)

LOCATE THE 4 SMALL POSTS ON THE TOP OF THE ASSEMBLY.

LOCATE THE 4 HOLES ON THE BOTTOM OF THE RING.

ALIGN THE 4 HOLES OF THE RING ABOVE THE 4 POSTS OF THE BASE. SLIDE EACH POST INTO THE HOLES OF THE RING UNTIL THE RING FULLY RESTS ONTO THE BASE.



BEFORE HANGING MERCHANDISE, CHECK TO MAKE SURE THE RING IS FULLY RESTING INTO THE POSTS TO ENSURE STABILITY. ASSEMBLY COMPLETE.

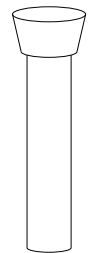
FEATURES: ROUND RACK FEATURES PUSH-BUTTON EXTENDABLE LEGS. EACH PUSH-BUTTON IS LOCATED ON THE INSIDE OF EACH LEG. PRESS IN THE PUSH-BUTTON AND ADJUST TO YOUR DESIRED HEIGHT.

FEATURES NOTE: REMOVE ALL MERCHANDISE BEFORE CHANGING THE HEIGHT OF THE ROUND RACK. MAKE SURE THAT EACH LEG OF THE ROUND RACK IS EXTENDED AT SAME LEVEL TO PREVENT UNEVENNESS.

ADD-ON FEATURES: ROUND RACKS HAVE THE ABILITY TO USE A (SEPARATELY PURCHASED) ROUND TOPPER. THE (4) FOUR RISERS INCLUDED WITH THE ROUND RACK ARE USED FOR THE INSTALLATION OF THE ROUND TOPPER.

RISER ASSEMBLY: (SEE FIGURE 3)

LOCATE THE FOUR HOLES ON THE TOP OF THE BASE. SLIDE IN (4) FOUR RISERS INTO THOSE HOLES.



**RISER
4 EACH**

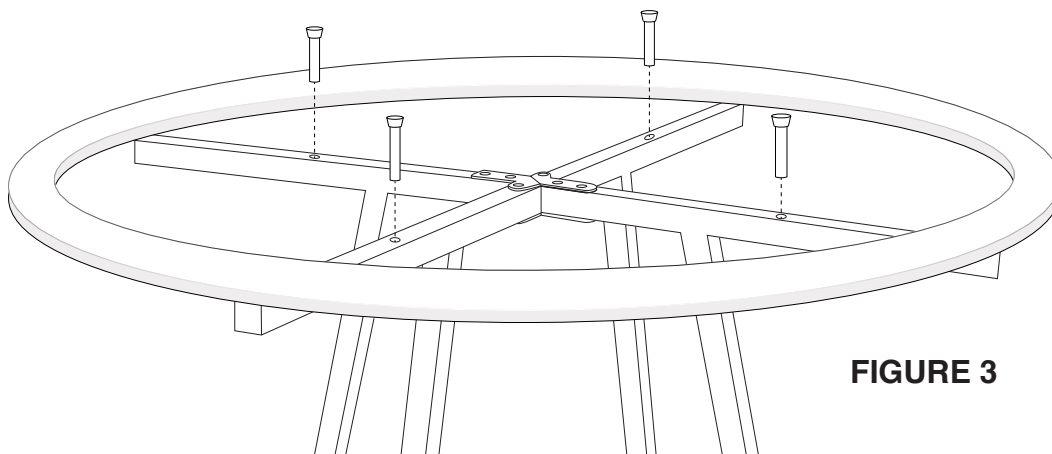


FIGURE 3