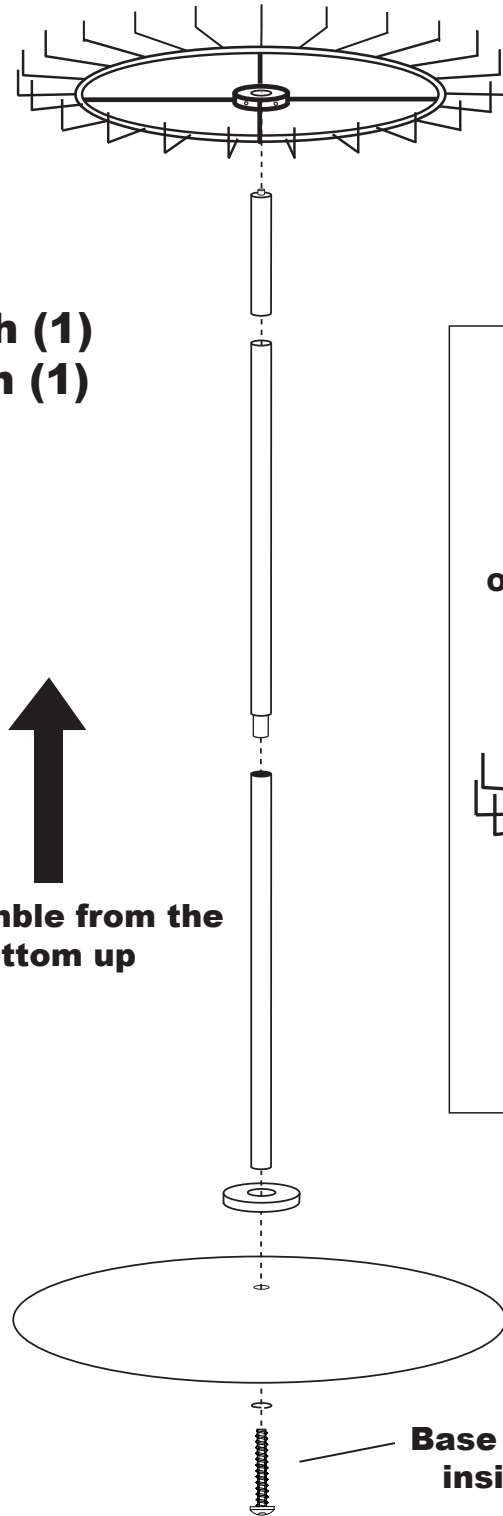
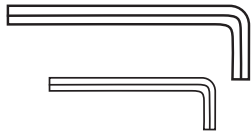



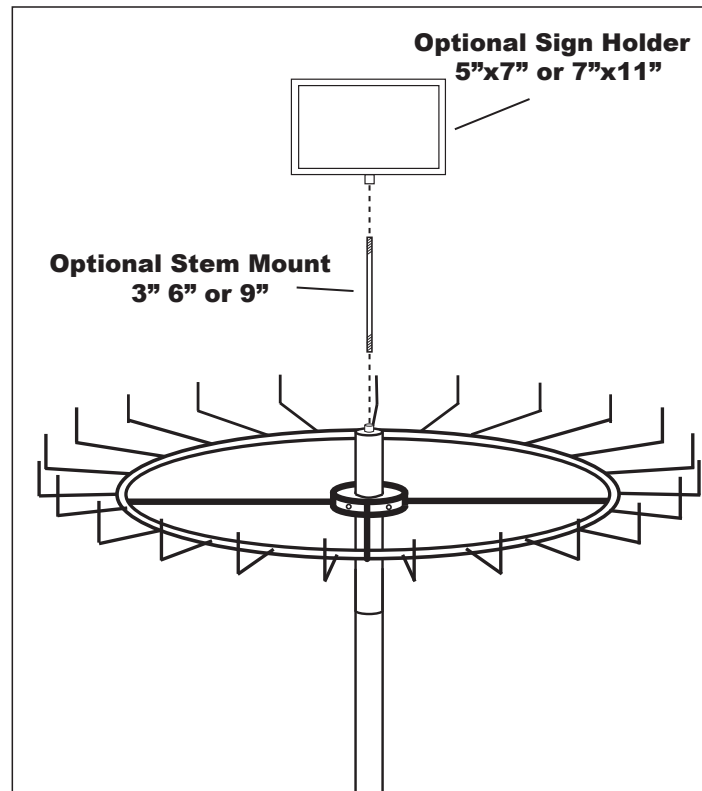
Belt/Tie Rack Assembly Instructions

Parts List

- Peghook Spinner (1)
- Rotating Cap (1)
- Upper Rod (1)
- Lower Rod (1)
- Base Plate (1)
- Base Hex Bolt (1)
- Base Washer (1)
- Large Hex Wrench (1)
- Small Hex Wrench (1)




**Assemble from the
bottom up**



**Base Hex Bolt is located
inside the Lower Rod**