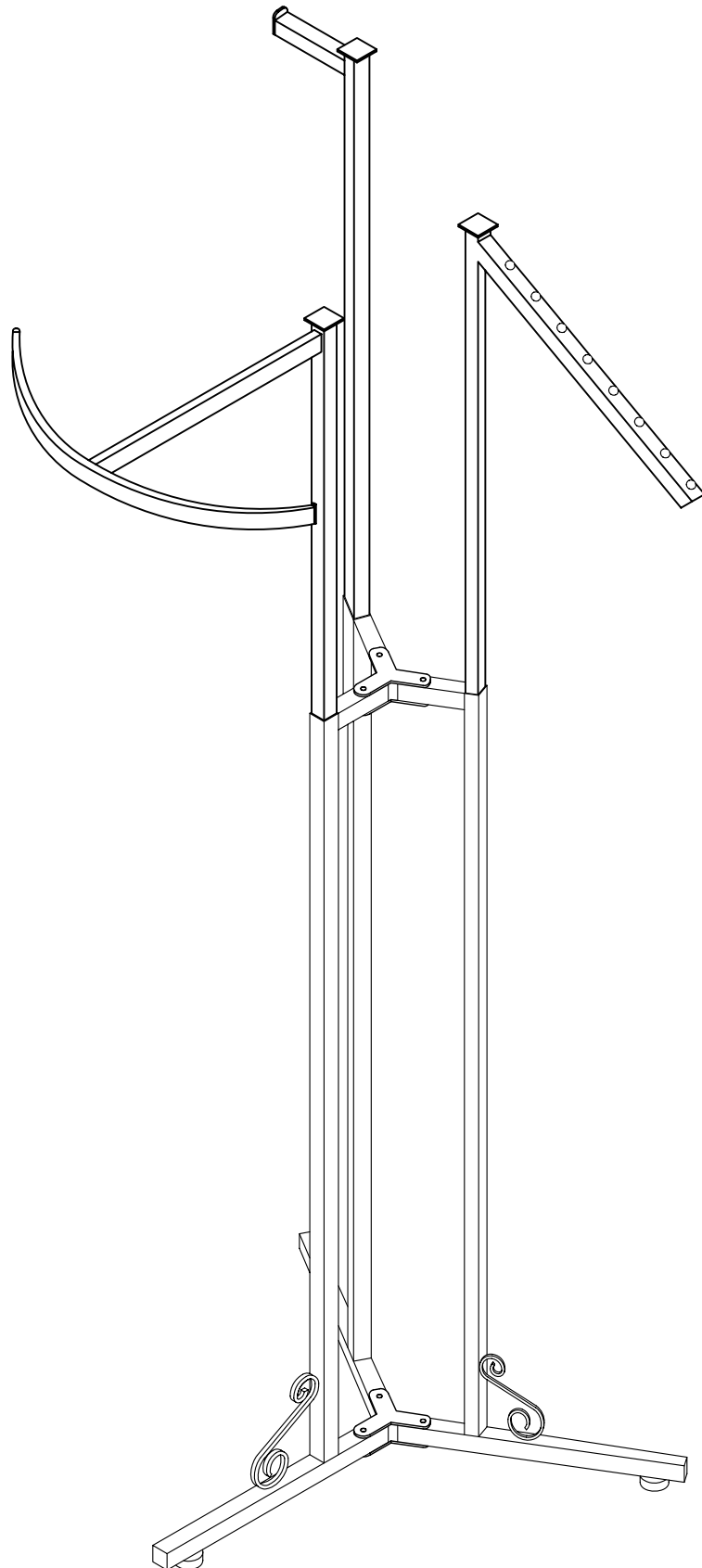


# ASSEMBLY INSTRUCTION MANUAL

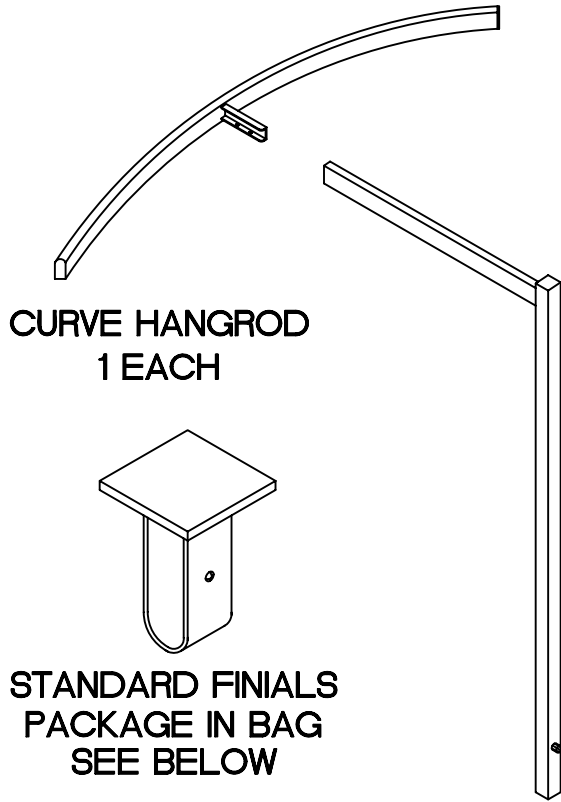
## #60-480 COBBLESTONE 3 WAY RACK



# # 60-480 ASSEMBLY INSTRUCTION

## COBBLESTONE 3 WAY RACK

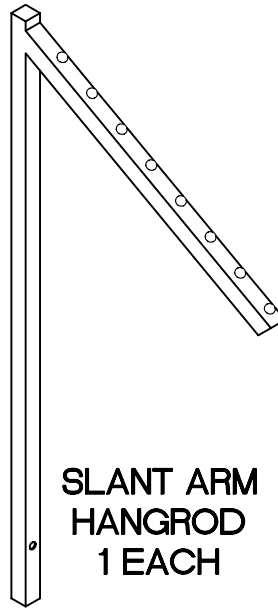
### PARTS IN CARTON:



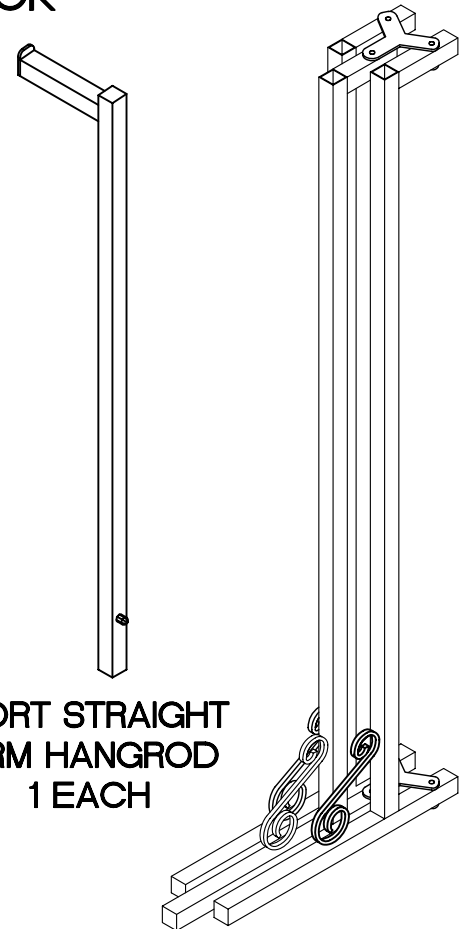
**CURVE HANGROD  
1 EACH**

**STANDARD FINIALS  
PACKAGE IN BAG  
SEE BELOW**

**HANGROD STRAIGHT ARM  
1 EACH**



**SLANT ARM  
HANGROD  
1 EACH**



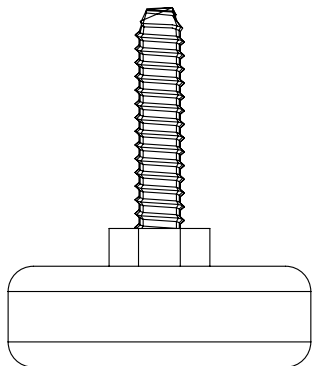
**SHORT STRAIGHT  
ARM HANGROD  
1 EACH**

**3 LEG BASE SECTION  
1 EACH**

### HARDWARE IN BAGS

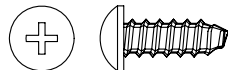
NOTE: HARDWARE BELOW ARE SHOWN ACTUAL SIZE:  
IF YOU ARE NOT SURE WHICH PART IS CORRECT  
THEN PLACE PIECE ON TOP OF DRAWINGS FOR  
HELP DURING ASSEMBLY.

#### BAG 1 - CONTAINS



**3 EACH - LEVELERS**

FOR ATTACHING THE  
CURVE HANGROD



**2 EACH - SCREWS  
or**

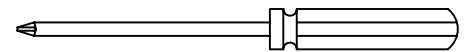


**2 EACH - SET SCREWS**

and NOT ACTUAL SIZE

**1 EACH - ALLEN WRENCH**

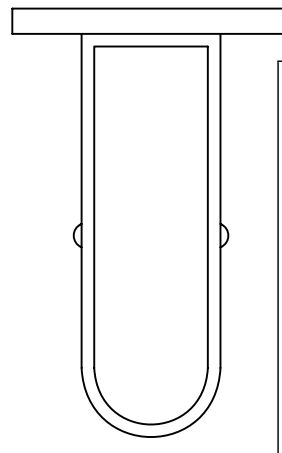
### TOOL REQUIRED NOT SUPPLIED



**PHILLIPS HEAD SCREWDRIVER**

#### BAG 2 - CONTAINS

**3 EACH - STANDARD FINIALS**



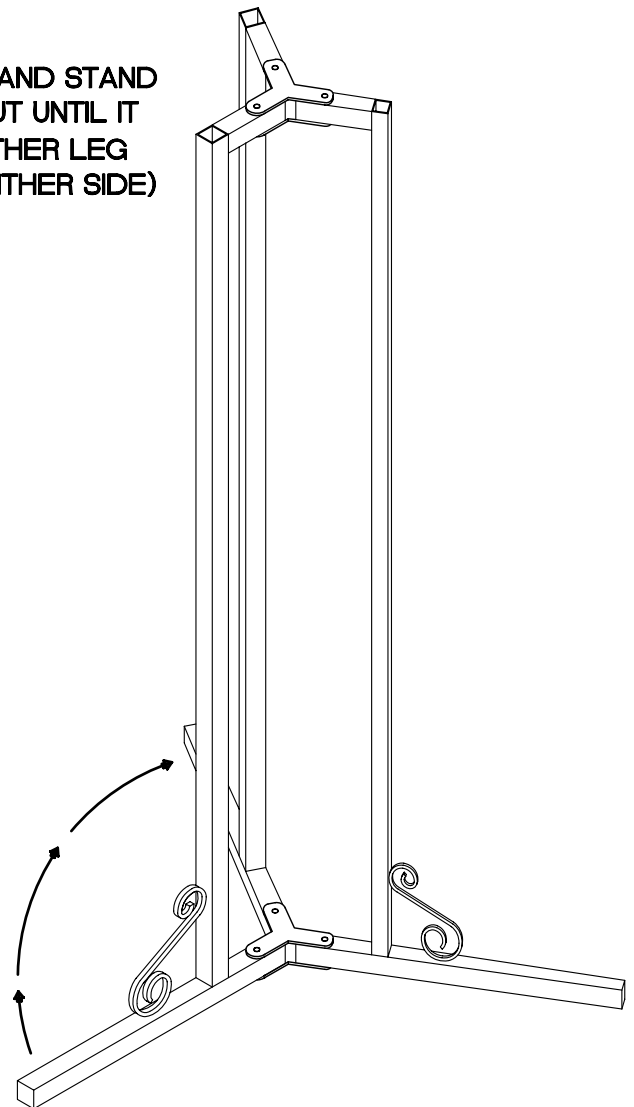
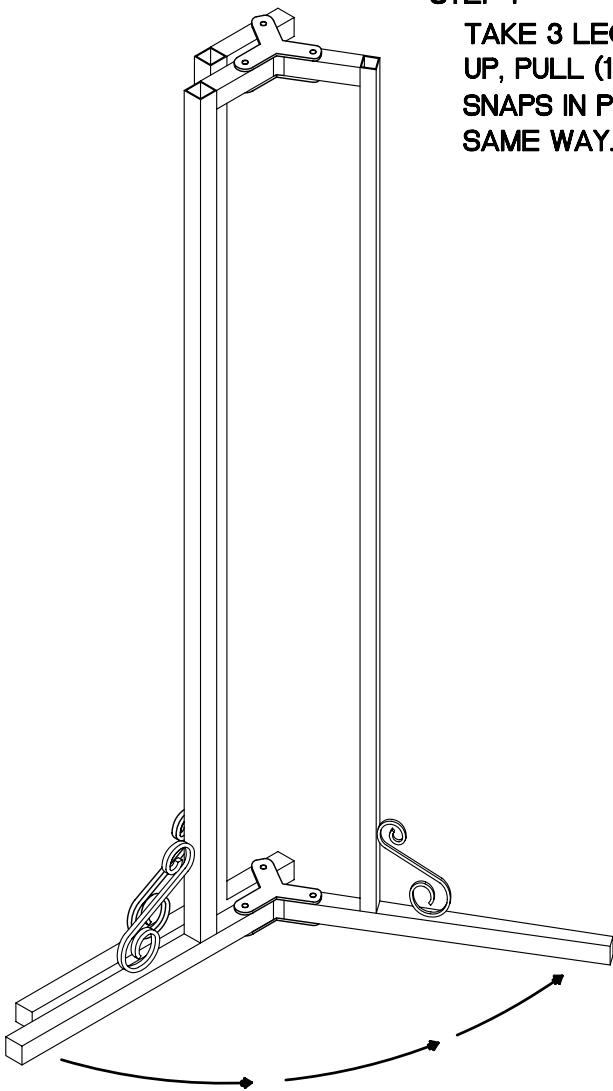
# # 60-480 ASSEMBLY INSTRUCTION

## COBBLESTONE 3 WAY RACK

### ASSEMBLY STEPS:

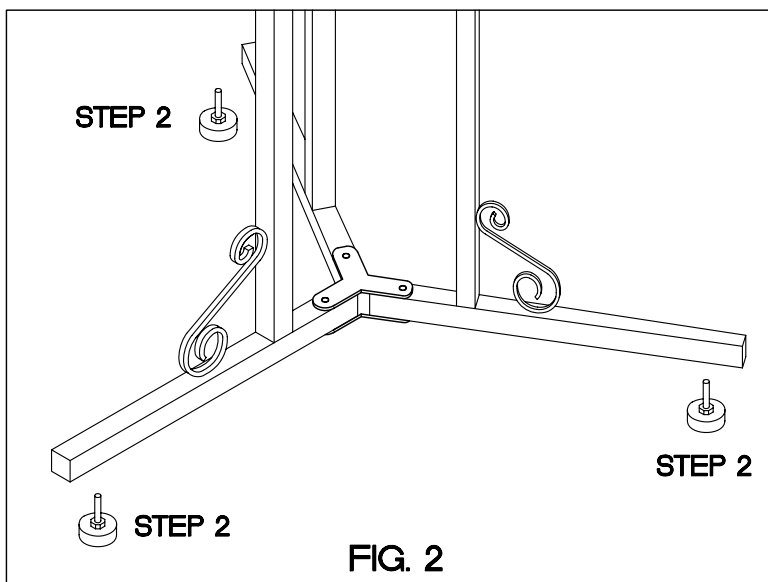
#### STEP 1

TAKE 3 LEG BASE SECTION AND STAND UP, PULL (1) LEG UPRIGHT OUT UNTIL IT SNAPS IN PLACE. REPEAT OTHER LEG SAME WAY. (SEE DIAGRAM EITHER SIDE)



#### STEP 2

SCREW THE LEVELERS INTO THE BOTTOM ENDS OF RAILS AS SHOWN IN (FIG. 2 TO THE LEFT)



# # 60-480 ASSEMBLY INSTRUCTION

## COBBLESTONE 3 WAY RACK

### ASSEMBLY STEPS CONTINUES:

#### STEP 3

ASSEMBLE THE CURVE FRONT HANGROD STRAIGHT ARM BRACKET, SLIDE THE CURVE FRONT INTO THE END OF THE STRAIGHT ARM. PLACE THE PHILLIPS HEADS SCREWS INTO THE HOLE ON BOTTOM SIDE OF THE STRAIGHT ARM, TIGHTEN USING A PHILLIPS HEAD SCREWDRIVER. (SEE FIG. 3)

NOTE: SOME FIXTURES MAY COME WITH ALLEN HEAD SET SCREWS AND ALLEN WRENCH INSTEAD OF THE PHILLIPS HEAD SCREWS

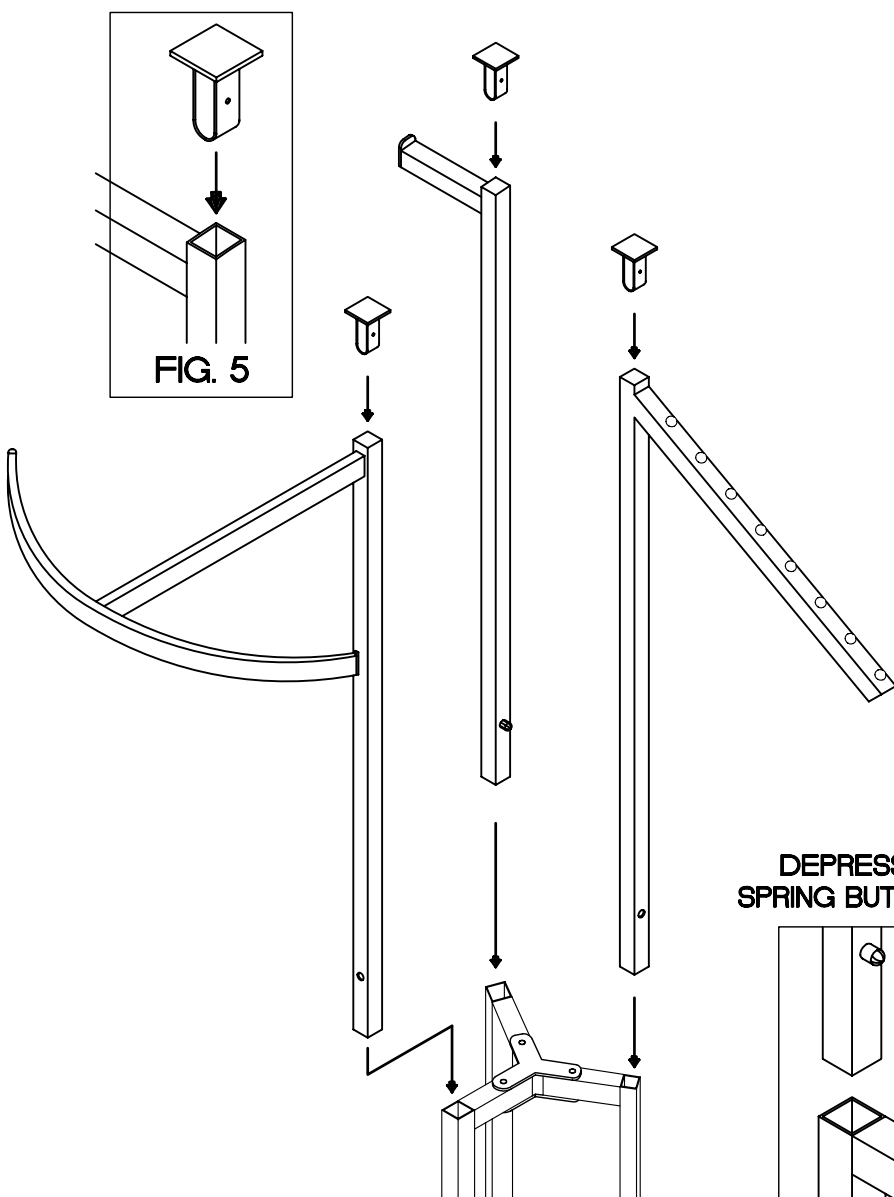
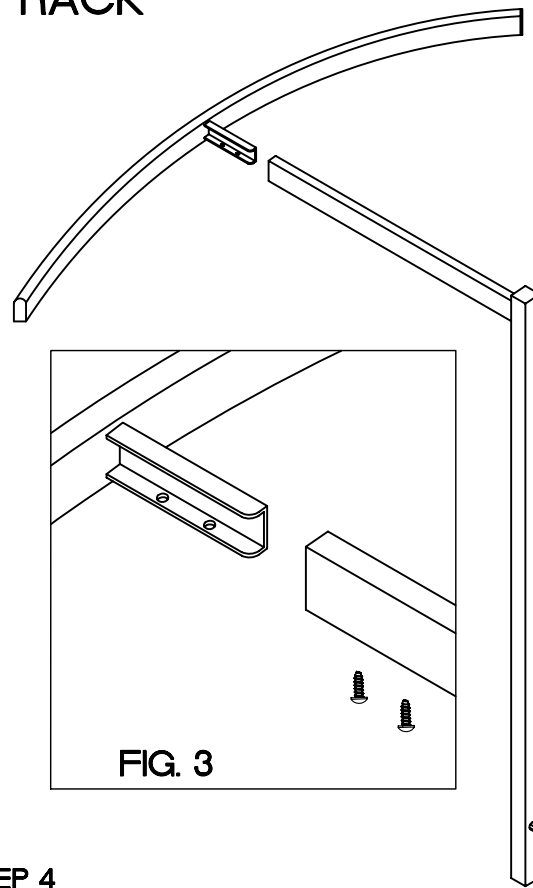


FIG. 3

#### STEP 4

INSTALL HANGROD ARMS PLACE ARMS INTO UPRIGHT TUBE WITH THE SPRING BUTTON TOWARD THE HOLES. DEPRESS THE SPRING BUTTON SO THE ARM SLIDES INTO TUBE. PUSH THE ARM DOWN UNTIL IT SNAPS INTO THE ADJUSTMENT HOLE. REPEAT THE SAME PROCEDURE UNTIL HEIGHT HAS BEEN ACHIEVED. (SEE FIG. 4 BELOW)

#### STEP 5

PUSH THE STANDARD FINIALS INTO THE TOP OF ARMS. (SEE FIG. 5)

DEPRESS  
SPRING  
BUTTON

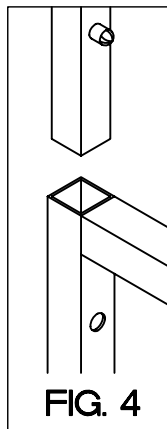


FIG. 4

UNIT IS COMPLETE  
SEE COVER FOR ASSEMBLED  
FIXTURE