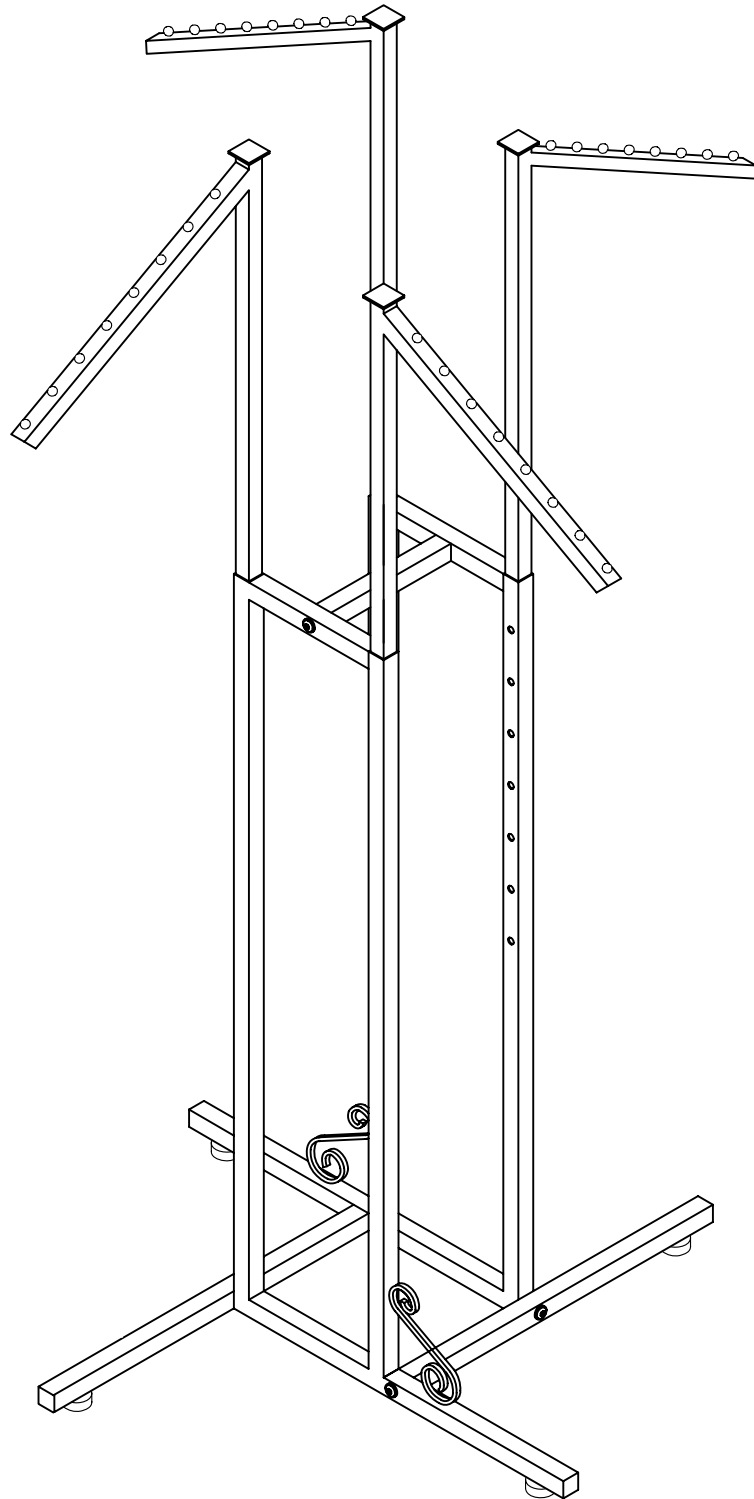


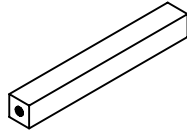
ASSEMBLY INSTRUCTION MANUAL #60-482 COBBLESTONE 4 WAY RACK WITH 4 SLANT ARMS



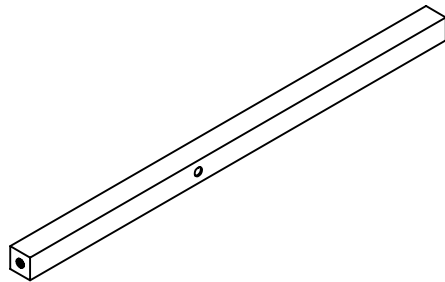
60-482 ASSEMBLY INSTRUCTION

COBBLESTONE 4 WAY RACK WITH 4 SLANT ARMS

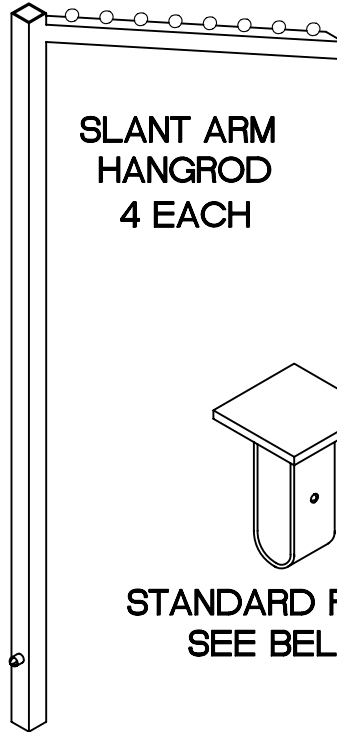
PARTS IN CARTON:



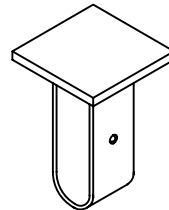
TOP CROSS RAIL
1 EACH



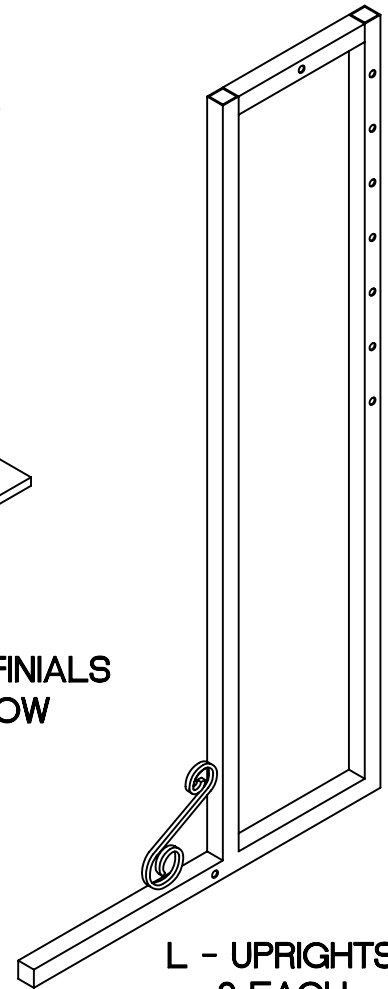
BASE CROSS RAILS
2 EACH



SLANT ARM
HANGROD
4 EACH



STANDARD FINIALS
SEE BELOW

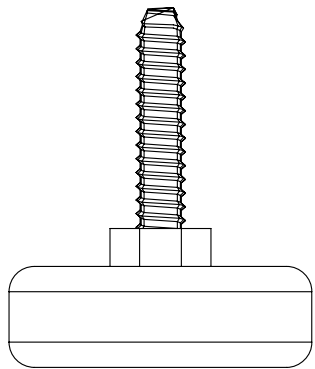


L - UPRIGHTS
2 EACH

HARDWARE IN BAGS

NOTE: HARDWARE BELOW ARE SHOWN ACTUAL SIZE:
IF YOU ARE NOT SURE WHICH PART IS CORRECT
THEN PLACE PIECE ON TOP OF DRAWINGS FOR
HELP DURING ASSEMBLY.

HARDWARE BAG 1

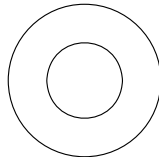


4 EACH - LEVELERS

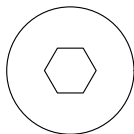


NOT ACTUAL SIZE

1 EACH - ALLEN WRENCH



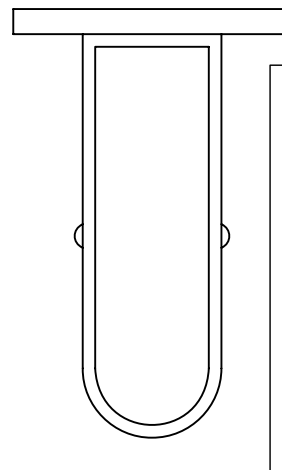
6 EACH - WASHERS



6 EACH - ALLEN HEAD BOLTS

HARDWARE BAG 2

4 EACH - STANDARD FINIALS



60-482 ASSEMBLY INSTRUCTION

COBBLESTONE 4 WAY RACK WITH 4 SLANT ARMS

ASSEMBLY STEPS:

STEP 1

ATTACH BASE CROSS RAILS TO BACK BOTTOM OF L-UPRIGHTS USING ALLEN HEAD BOLTS AND WASHERS, TIGHTEN USING THE ALLEN HEAD WRENCH. (SEE FIG. 1 TO THE RIGHT)

STEP 2

ALIGN THE ENDS OF CROSS RAILS WITH THE HOLE IN L-UPRIGHTS BELOW THE SCROLL ATTACH USING ALLEN HEAD BOLTS AND WASHERS TIGHTEN WITH THE ALLEN HEAD WRENCH. (SEE FIG. 1 TO THE RIGHT)

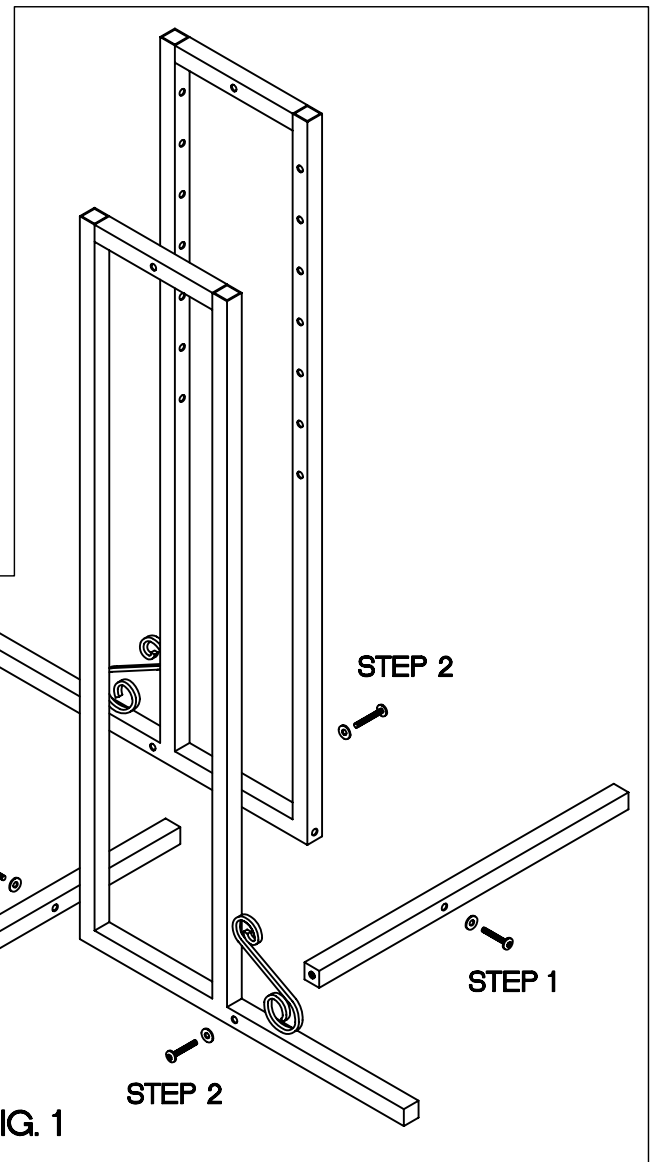


FIG. 1

STEP 3

ALIGN THE ENDS OF TOP CROSS RAIL WITH THE HOLES IN L-UPRIGHTS TOP RAIL. ATTACH USING ALLEN HEAD BOLTS AND WASHERS TIGHTEN WITH USING THE ALLEN HEAD WRENCH. (SEE FIG. 2 TO THE LEFT)

STEP 4

SCREW THE LEVELERS INTO THE BOTTOM EACH END RAIL AS SHOWN IN (FIG. 2 TO THE LEFT)

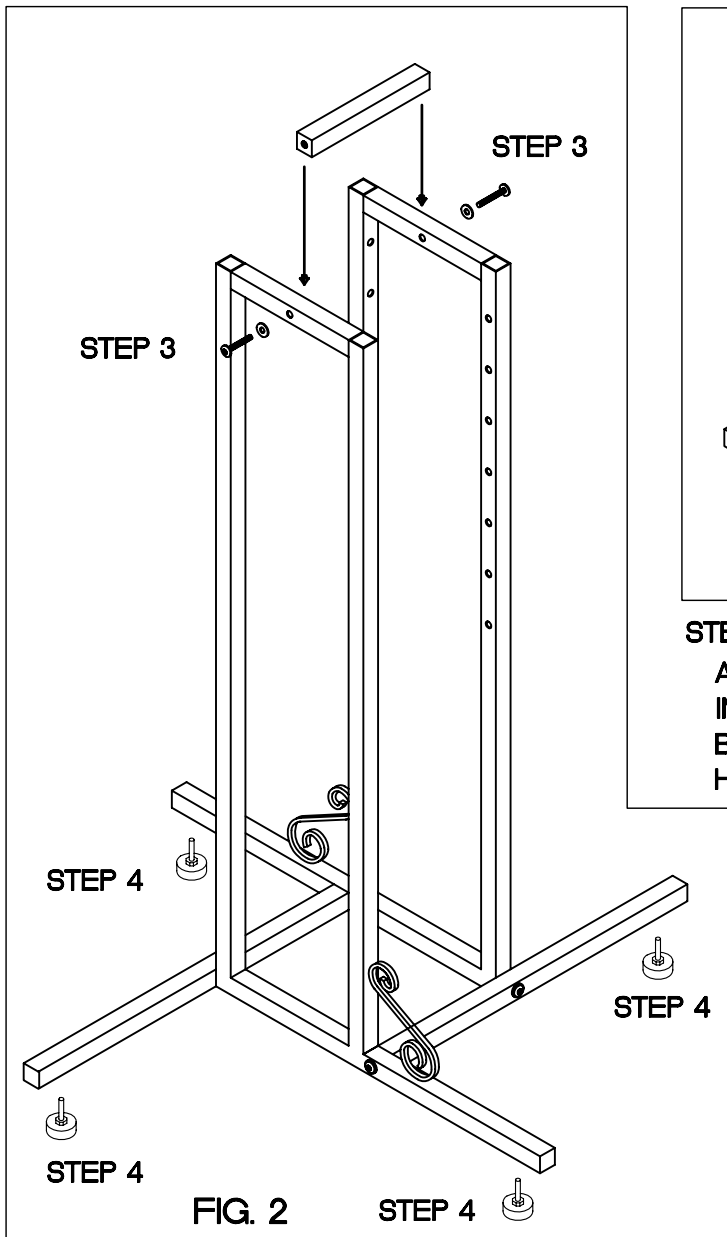
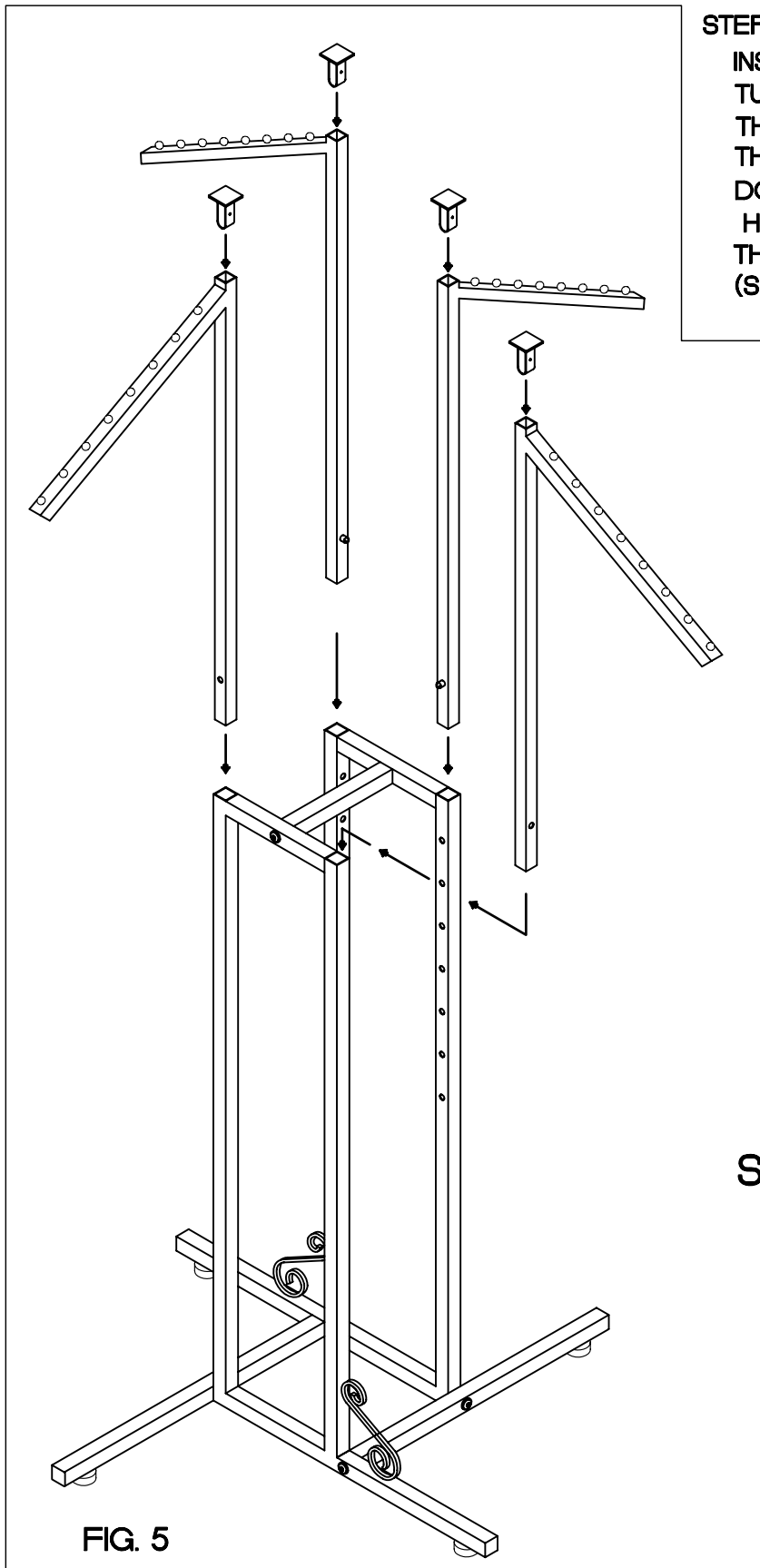


FIG. 2

60-482 ASSEMBLY INSTRUCTION

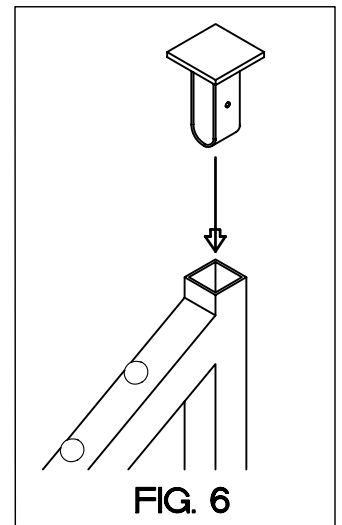
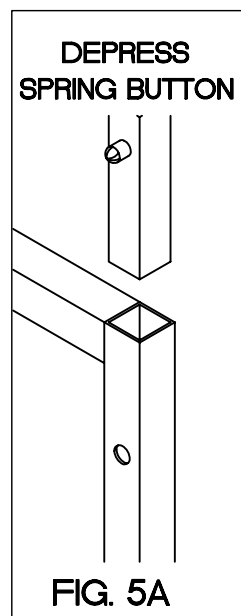
COBBLESTONE 4 WAY RACK WITH 4 SLANT ARMS

ASSEMBLY STEPS CONTINUES:



STEP 5

INSTALL SLANT ARMS PLACE ARMS INTO UPRIGHT TUBE WITH THE SILVER SPRING BUTTON TOWARD THE HOLES. DEPRESS THE SPRING BUTTON SO THE ARM SLIDES INTO THE TUBE, PUSH THE ARM DOWN UNTIL IT SNAPS INTO THE ADJUSTMENT HOLE. REPEAT THE SAME PROCEDURE UNTIL THE DESIRED HEIGHT IS ACHIEVED. (SEE FIG. 5 and 5A)



STEP 6

PUSH THE STANDARD FINIAL INTO EACH OF ARMS (SEE FIG. 6)

UNIT IS COMPLETE
SEE COVER FOR ASSEMBLED
FIXTURE

FIG. 5