

LIGHT KIT INSTALLATION MANUAL

LED LIGHT KITS NUMBERS

65-833, 65-843

FOR (ECONOMY) DISPLAY CASE: 48" WALL UNIT

NOTES:

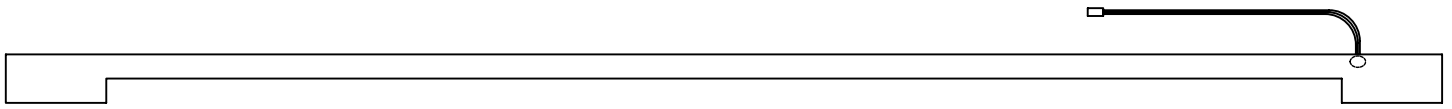
- 1) LIGHT KIT IS FOR LIGHTING (1) SHOWCASE ONLY.
- 2) LIGHT KITS REQUIRES 110 VOLT AC OUTLET POWER SOURCE WITHIN 6 FOOT OF SHOWCASE.
- 3) NO LICENSED ELECTRICIAN IS NEEDED.
- 4) BASIC INSTRUCTION REQUIRES INSTALLATION OF LED LIGHT RAIL, MAKING SIMPLE PLUG CONNECTIONS TO POWER PACK, ATTACHING POWER PACK BRACKET PLUG INTO AC OUTLET.

NOTE:

STEP 2 WILL REQUIRE 2 PEOPLE APPROXIMATELY 10 MINUTES PLUS OR MINUS.

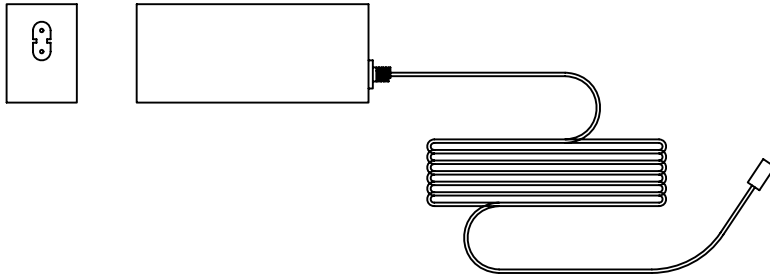
LIGHT KITS: 65-833, 65-843
FOR (ECONOMY) DISPLAY CASES: 48: WALL UNIT

PARTS IN CARTON:

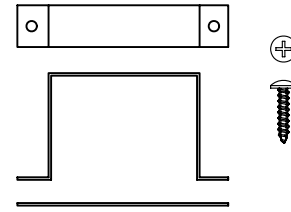


LIGHT RAIL WITH PLUG-IN WIRE - 1 EACH

1 EACH - WHITE BOX CONTAINING:



1 EACH - POWER PACK WITH SMALL PLUG END

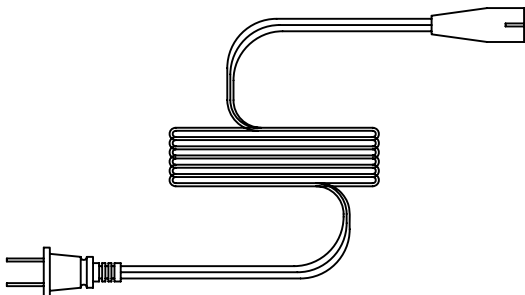


1 EACH - POWER PACK WITH BRACKET and SCREWS

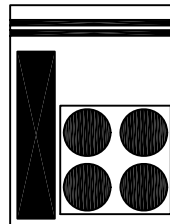
1 EACH - WHITE BOX CONTAINING:



2 EACH - 1 1/4" LONG PHILLIPS FLAT HEAD SCREWS FOR ATTACHING LIGHT RAIL - ACTUAL SIZE SHOWN



1 EACH - AC OUTLET POWER CORD



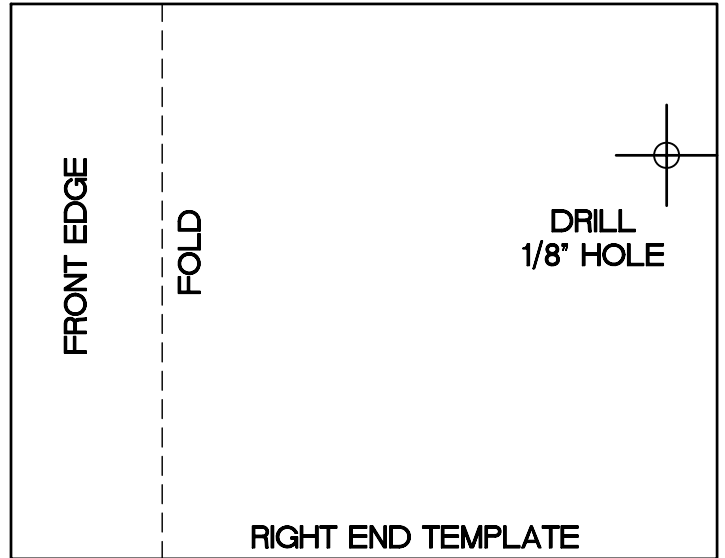
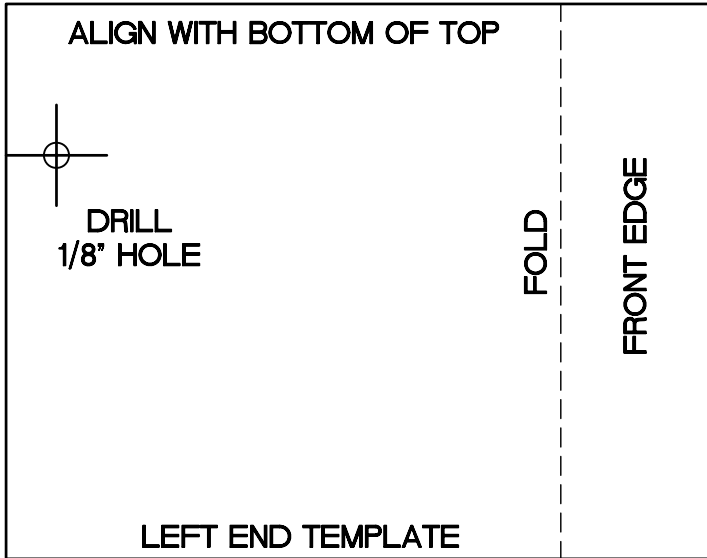
1 EACH - ZIP-LOCK BAG OF STICK-ON STICKERS

LIGHT KITS: 65-833, 65-843

FOR (ECONOMY) DISPLAY CASES: 48" WALL UNIT

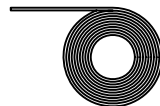
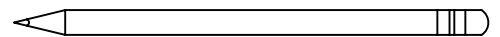
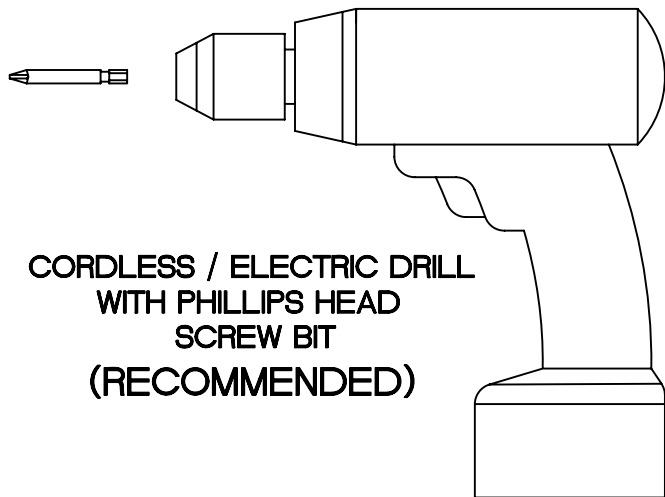
DRILLING TEMPLATES: FOR ATTACHING LIGHT RAIL

CUT ALONG SOLID LINES

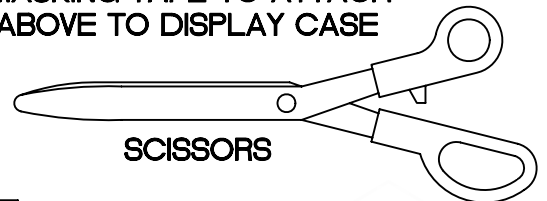


TOOLS NEEDED FOR INSTALLATION

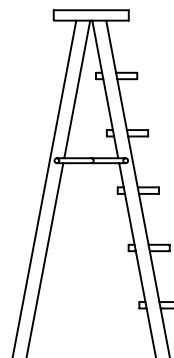
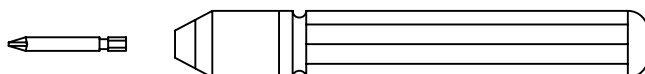
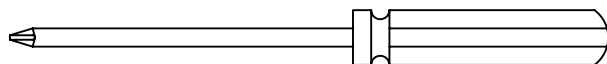
(RECOMMENDED)



* SCOTCH OR MASKING TAPE TO ATTACH TEMPLATES ABOVE TO DISPLAY CASE



OR



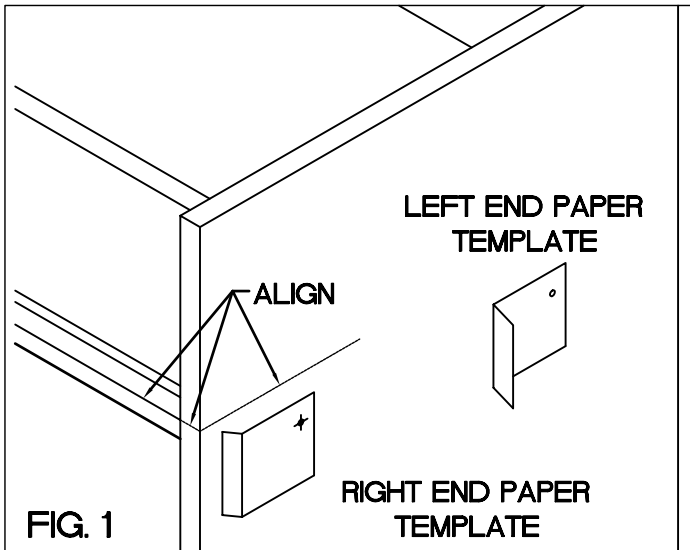
LIGHT KITS: 65-833, 65-843

FOR (ECONOMY) DISPLAY CASES: 48: WALL UNIT

INSTRUCTION STEPS:

NOTE:

BEFORE YOU START INSTALLING KIT, MAKE ALL CONNECTIONS AND PLUG INTO AC OUTLET TO MAKE SURE LIGHT KIT WORKS THEN DISCONNECT AND INSTALL.



STEP 1 (SEE FIG. 1)

CUTOUT PAPER TEMPLATES FROM PAGE 3 OF THIS INSTRUCTION MANUAL. FOLD THE TEMPLATES AS INDICATED, ALIGN TOP OF TEMPLATE WITH THE BOTTOM EDGE OF TOP ON THE END PANEL EDGE OF DISPLAY CASE TAPE TEMPLATE IN PLACE. USING DRILL WITH 1/8" DRILL BIT PLACE TIP OF BIT ON TEMPLATE TRY HOLDING THE DRILL SQUARE AND STRAIGHT TO END PANEL DRILL HOLE IN BOTH END PANELS.

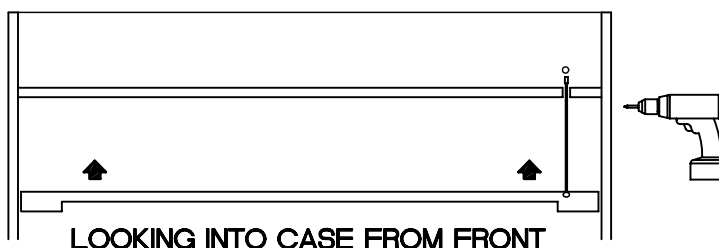
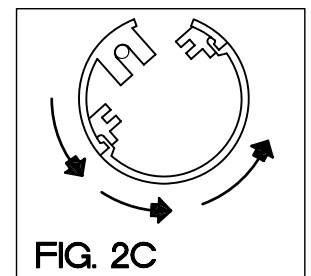
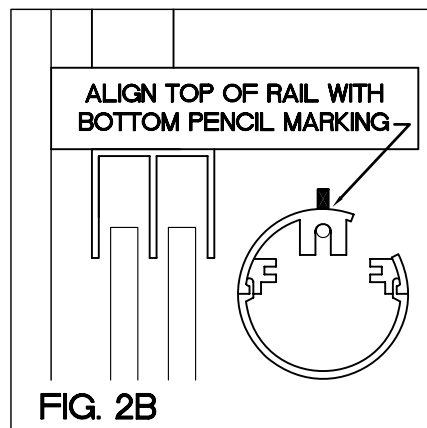
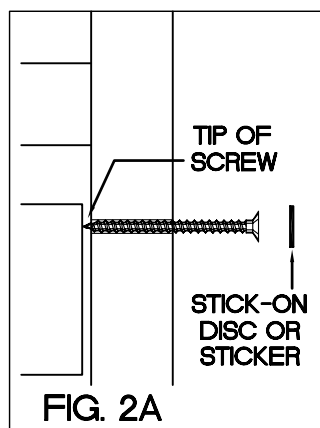
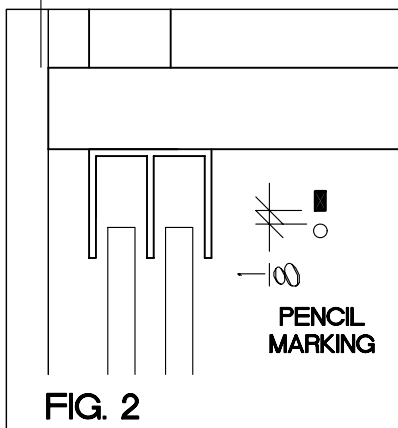
IF DISPLAY IS EXISTING:

IT IS BEST TO REMOVE DISPLAY ITEMS, GLASS DOORS AND ALL GLASS SHELVING AND HARDWARE BEFORE DRILLING AND INSTALLING THE LIGHT KIT.

STEP 2 REQUIRES (2) PEOPLE

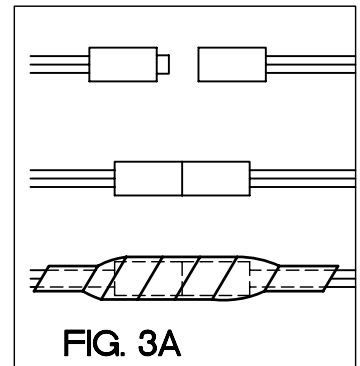
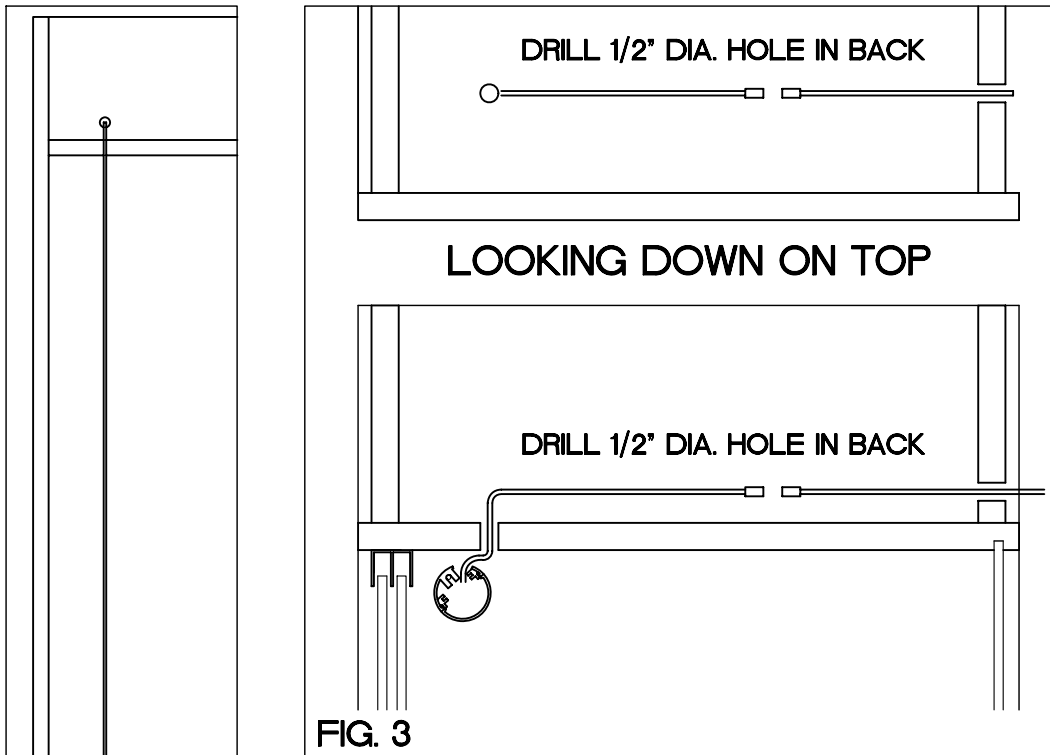
STEP 2 (SEE FIG. 2 and 2A)

ONE PERSON INSIDE CASE USING A PENCIL MAKES A MARK ABOUT 1/8" DIRECTLY ABOVE HOLES THAT WAS DRILLED. (SEE FIG. 2) THIS WILL HELP ALIGN LIGHT RAIL IN CORRECT PLACE. THIS PERSON WILL MAKE SURE THE POWER PLUG END OF LIGHT RAIL IS DIRECTLY BELOW HOLE IN TOP OF SHOWCASE WHICH HAS A PLASTIC PLUG LOCATED IN THE RIGHT FRONT CORNER AS YOU LOOK IN THE CASE. REMOVE PLUG AND PUSH POWER CORD OF LIGHT THROUGH HOLE IN TOP. THE PERSON ON OUTSIDE OF THE CASE AT SAME END ON A LADDER WILL SCREW THE 1 1/4" SCREW INTO THE PRE DRILLED HOLE UNTIL THE TIP IS BARELY SHOWING ON THE INSIDE OF CASE (SEE FIG.2A). THE PERSON INSIDE OF CASE WILL PLACE TOP OF LIGHT RAIL JUST BELOW THE PENCIL MARKING ALIGNING SCREW TO SCREW INTO CHANNEL OF RAIL (SEE FIG. 2C) THE PERSON OUTSIDE WILL SCREW INTO RAIL UNTIL SNUG WHICH WILL ALLOW RAIL TO TURN. REPEAT SAME PROCEDURE FOR OTHER END. THE PERSON INSIDE CASE TURNS LIGHT RAIL INTO CASE ABOUT 1/4 TURN WHICH WILL DIRECT LIGHTING TOWARD SHELVES (SEE FIG. 2D) . THE PERSON OUTSIDE WILL TIGHTEN THE AND COVER UP SCREW HEADS WITH STICK-ON DISC OR STICKERS MATCHING CASE COLOR.



LIGHT KITS: 65-833, 65-843 FOR (ECONOMY) DISPLAY CASES: 48: WALL UNIT

INSTALLATION CONTINUES:



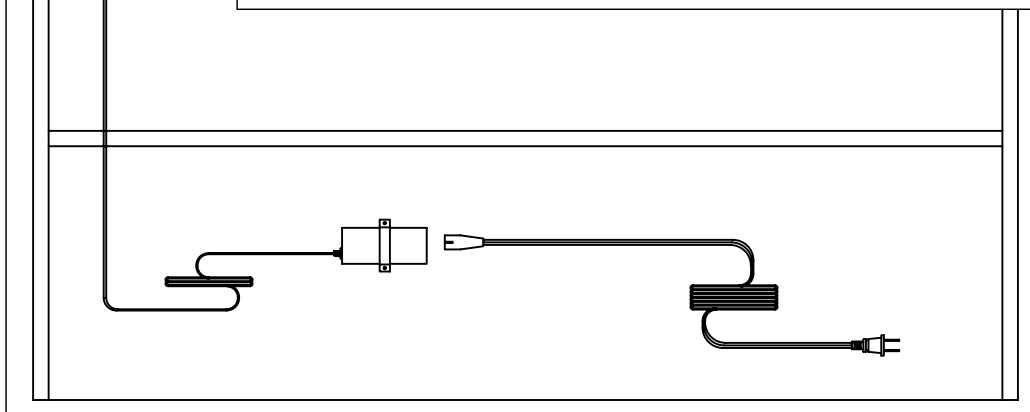
STEP 3

DRILL 1/2" DIA. HOLE IN BACK ABOVE TOP FOR CORD OR POWER PACK TO FEED THROUGH AND CONNECT TO POWER PLUG WIRE OF LIGHT RAIL (SEE FIG. 3).
STORE SUPPLY RECOMMENDS THAT AFTER PLUGGING TOGETHER TO PREVENT ANY SEPARATION TAPE THE PLUG CONNECTION USING BLACK ELECTRICAL TAPE GOING FROM WIRE TO WIRE (SEE FIG. 3A).

STEP 4

PULL GENTLY ON POWER CORD TO POWER PACK DOWN BACKSIDE OF CASE TO A DESIRE LOCATION MOUNT POWER PACK TO BACK OF CASE USING BRACKET AND SCREWS THAT WAS SUPPLIED. PLUG IN AC OUTLET CORD INTO POWER PACK END THEN PLUG IN WALL OUTLET. REUSE TWIST TIES TO WRAP UP ACCESS CORDS OF POWER PACK AND AC CORD. (SEE DIAGRAM BELOW).

INSTALLATION IS COMPLETE



BACKSIDE OF WALL CASE