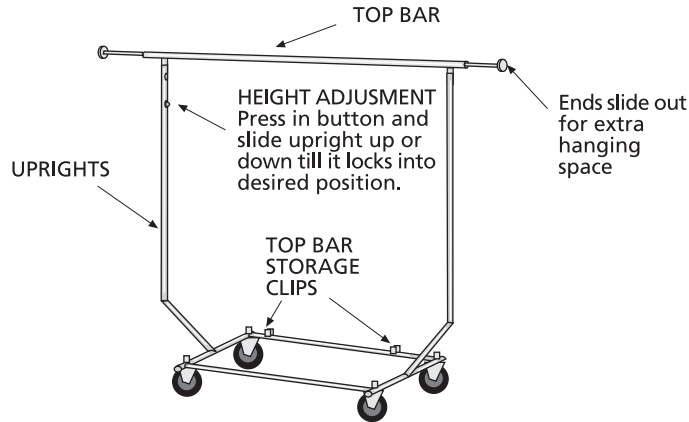
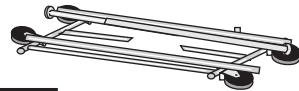


60-113 SSW FOLDING ROLLING RACK - Setup Instructions

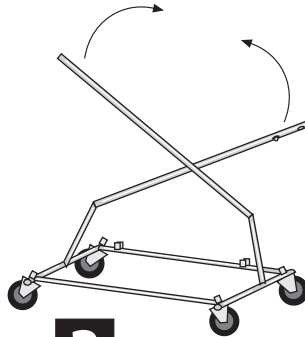


SHIPS FLAT AND FOLDS FLAT FOR TRANSPORT OR STORAGE



1

Rotate uprights to open position.

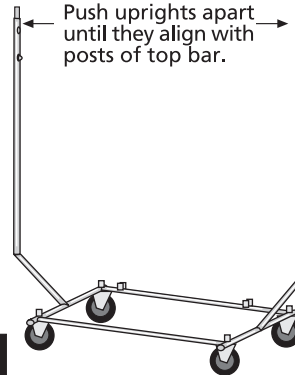


2



Push uprights apart until they align with posts of top bar.

Insert Top Bar posts into uprights at both ends and push down..



3

