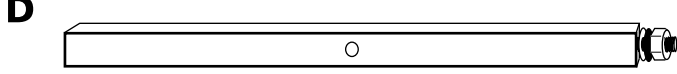
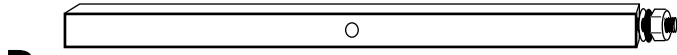
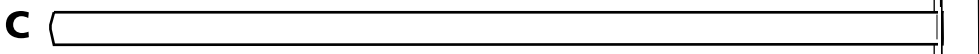
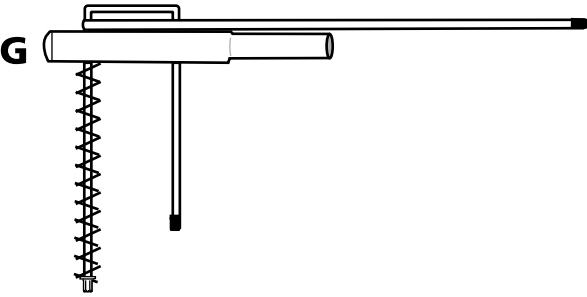
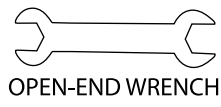
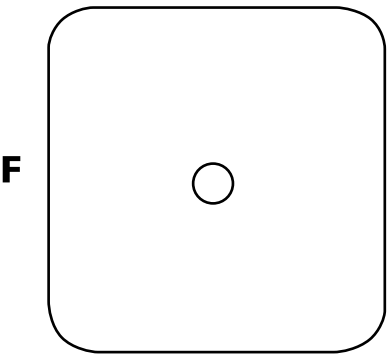


PARTS

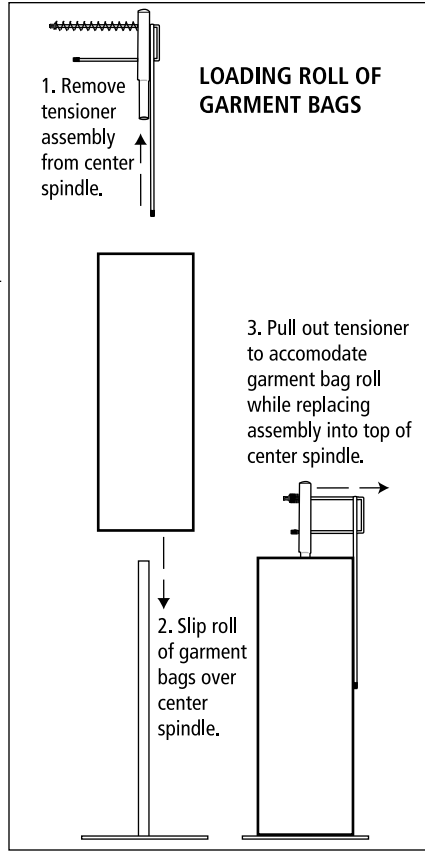


27-106

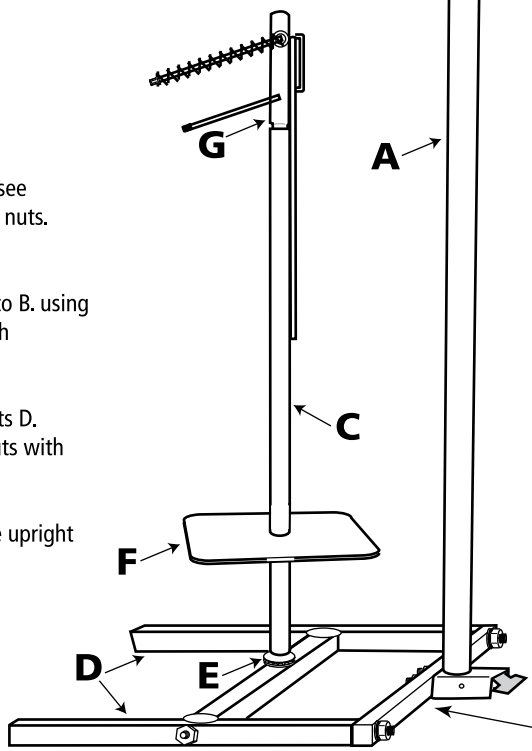
BAGGING JACK ASSEMBLY INSTRUCTIONS



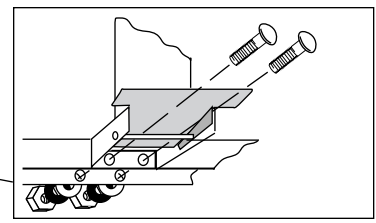
To adjust height, simply pull up and release. Use foot pedal to lower.



1. Insert carriage bolts from hardware pack into A. (see detail). Attach to B., affix washers, lock-washers and nuts. Secure nuts with open-end wrench provided.
2. Remove nuts/washers from both parts D., attach to B. using the washers and nuts, just removed. Secure nuts with open-end wrench provided.
3. Remove nuts/washers from C., attach to both parts D. using the washers and nuts, just removed. Secure nuts with open-end wrench provided.
4. Slip ball-bearing assembly (E.) over center-spindle upright of C.
5. Place F. on top of ball-bearing assembly.
6. Place G. into top of C. upright.
7. Retighten all nuts.



ASSEMBLED BAGGING JACK



DETAIL: Connecting A. to B.