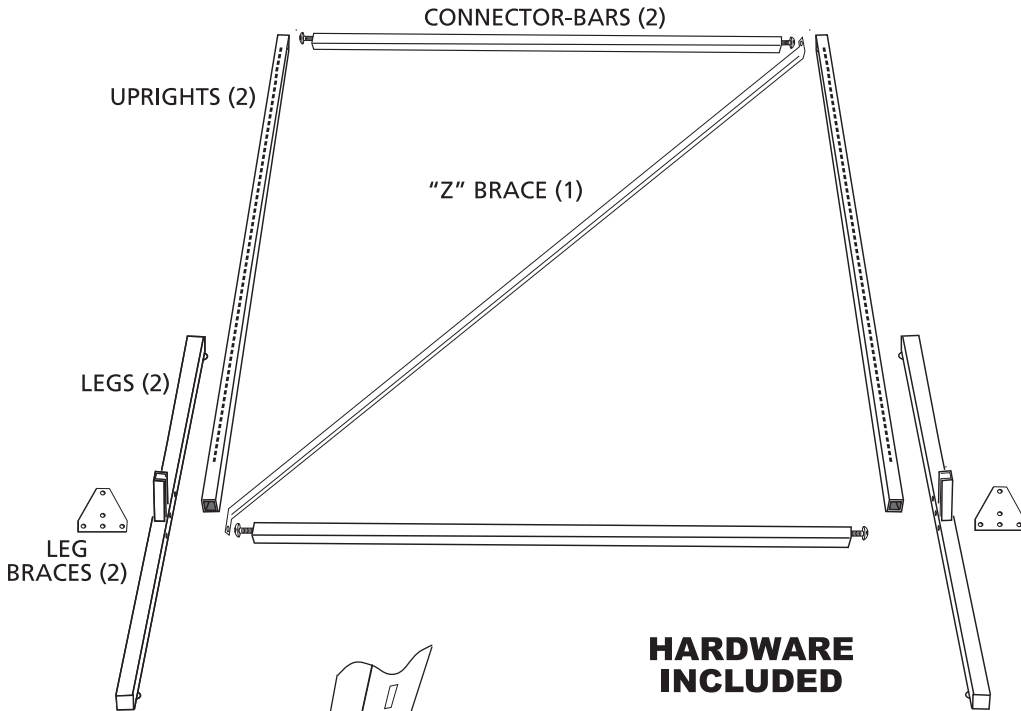


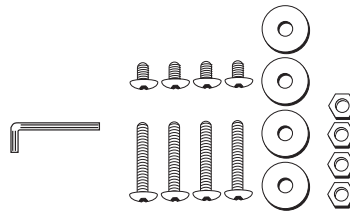
# 61-120 SHOE RACK ASSEMBLY INSTRUCTIONS



**IMPORTANT:** To insure proper stability of your new Shoe Rack **assemble in the following order.** NOTE: Hand tighten all connections until assembly is complete then tighten with the Allen wrench.

- 1** Insert leg-flanges into appropriate upright (making sure upright is correctly facing before inserting).
- 2** Lay leg/upright assemblies down on flat surface, connect triangular Leg-Braces.
- 3** Remove bolts from ends of Connector-Bars. Attach the bolts through uprights & "Z" Brace on top and through legs & "Z" Brace on bottoms.

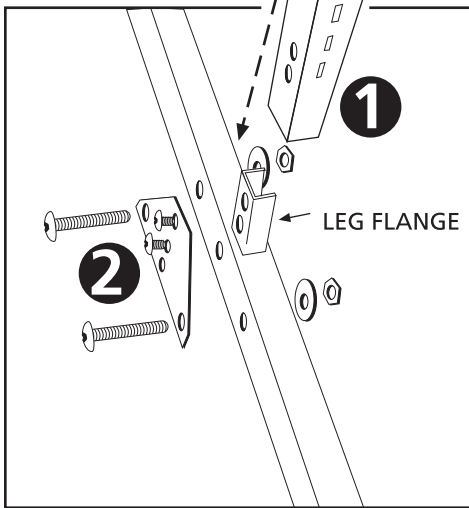
## HARDWARE INCLUDED



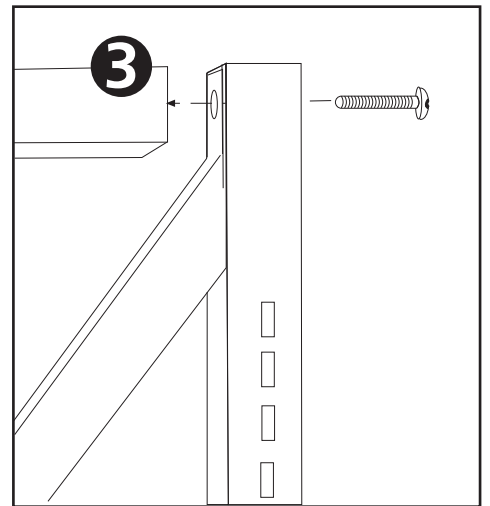
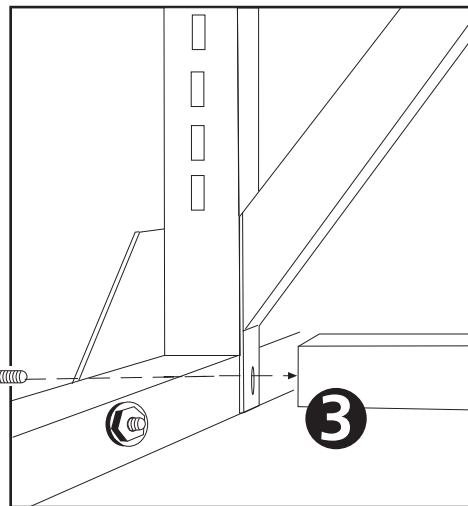
Securely tighten all bolts with Allen Wrench, provided.

Insert shelves into slots of uprights. Level, if necessary by adjusting screw-levelers on bottom of legs. Your Shoe Rack is now ready to merchandise.

Slip upright over leg flange.



**Lay flat;** place brace on outside; slip 2 large bolts through brace and leg; then apply washer and nut; attach small bolts through brace into upright.



Bolt bottom and top Connector Bars and "Z"-Brace to leg/uprights.

