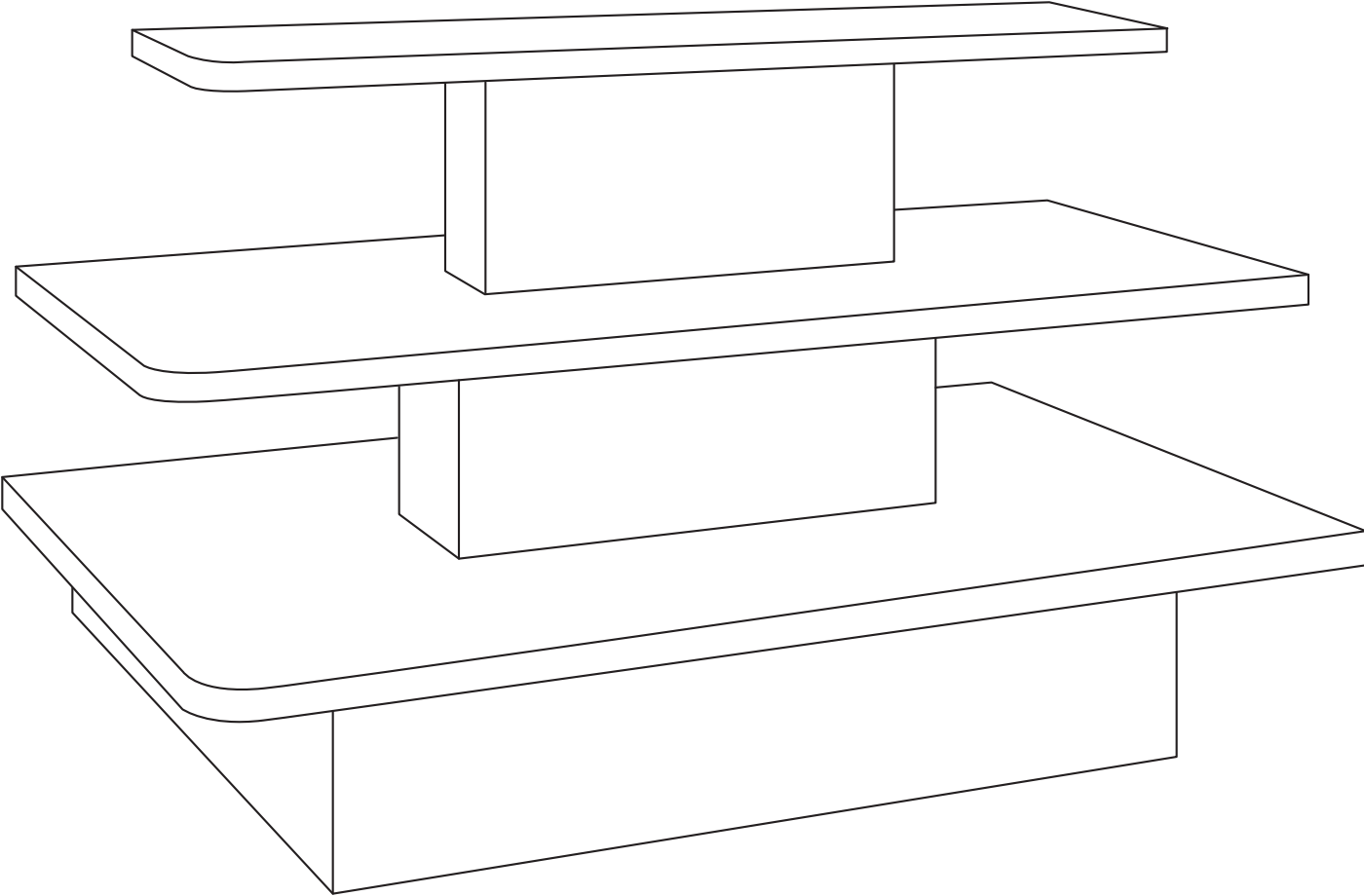


ASSEMBLY INSTRUCTIONS MANUAL

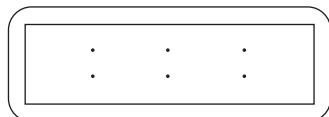
#60287 THREE TIER TABLE RECTANGLE - LIGHT MAPLE



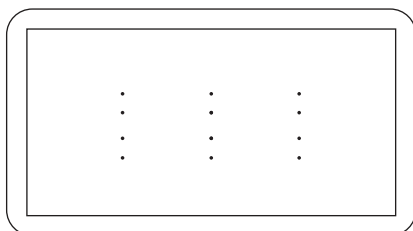
ASSEMBLY INSTRUCTIONS MANUAL

#60287 THREE TIER TABLE RECTANGLE - LIGHT MAPLE

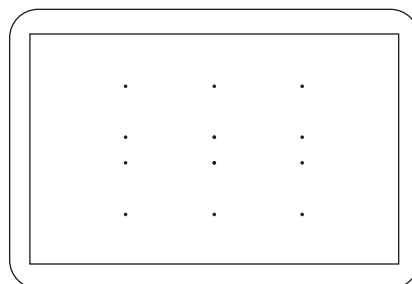
PARTS IN CARTON:



TIER 1 BASE
1 EACH
(BOTTOM VIEW)



TIER 2 BASE
1 EACH
(BOTTOM VIEW)



TIER 3 BASE
1 EACH
(BOTTOM VIEW)



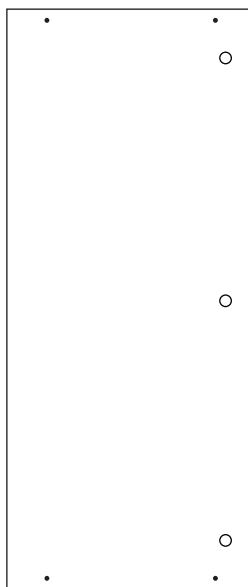
TIER 1-A BOARD
2 EACH (INSIDE VIEW)



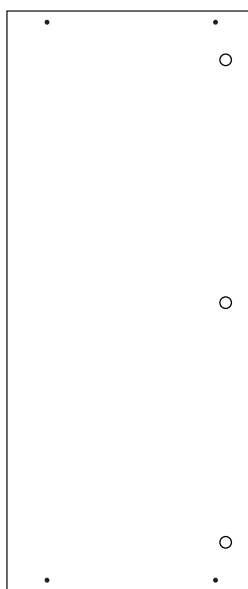
TIER 2-A BOARD
2 EACH (INSIDE VIEW)



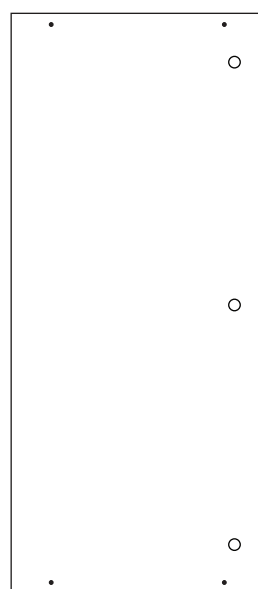
TIER 3-A BOARD
2 EACH (INSIDE VIEW)



TIER 1-B BOARD
2 EACH (INSIDE VIEW)



TIER 2-B BOARD
2 EACH (INSIDE VIEW)



TIER 3-B BOARD
2 EACH (INSIDE VIEW)

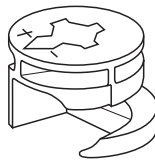
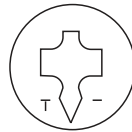
ASSEMBLY INSTRUCTIONS MANUAL

#60287 THREE TIER TABLE RECTANGLE - LIGHT MAPLE

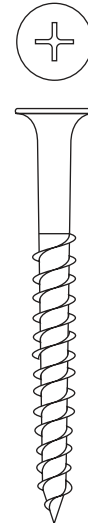
PARTS IN CARTON:



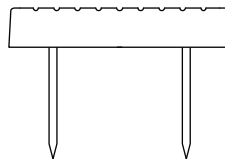
CAM LOCKING SCREW
(42 EACH)



CAM LOCKING NUT
(42 EACH)



2" WOOD SCREW
(12 EACH)



PLASTIC BASE PAD
(4 EACH)

***SAFETY NOTICE:** THE FINAL STEPS OF INSTALLATION REQUIRE LIFTING LARGE HEAVY OBJECTS - TWO PEOPLE ARE RECOMMENDED.

YOU WILL NEED TO SUPPLY YOUR OWN SCREWDRIVERS AND HAMMER FOR INSTALLATION. INSTALLATION WILL REQUIRE THE USE OF A SCREWDRIVER (REGULAR OR PHILLIPS-HEAD) TO BE SMALL ENOUGH TO FIT INTO A 6.5 INCH SPACE. THIS IS FOR THE INSTALLATION FOR SOME OF THE CAM LOCKING NUTS.

STANDARD PHILLIPS-HEAD SCREWDRIVER IS NEEDED FOR THE INSTALLATION OF THE 2 INCH WOOD SCREWS AND THE CAM LOCKING SCREWS.

ASSEMBLY INSTRUCTIONS MANUAL

#60287 THREE TIER TABLE RECTANGLE - LIGHT MAPLE

STEP 1. LOCATE (2) TIER 1-A BOARDS AND (8) CAM LOCKING NUTS.



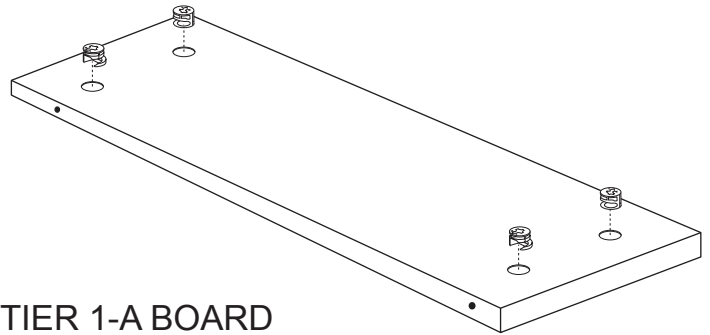
TIER 1-A BOARDS



CAM LOCKING NUTS

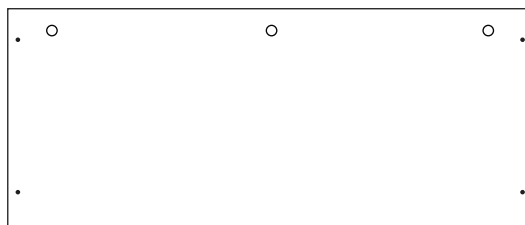
STEP 2. PLACE (4) CAM LOCKING NUTS INTO EACH OF THE HOLES IN TIER 1-A BOARD.

NOTE: MAKE SURE THE ARROW ON THE CAM LOCKING NUTS ARE FACING TOWARDS THE CLOSEST EDGE OF THE BOARD.

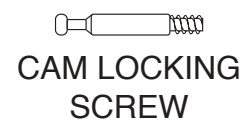


STEP 3. REPEAT STEP 2 FOR THE OTHER TIER 1-A BOARD AND (4) CAM LOCKING NUTS.

STEP 4. LOCATE (2) TIER 1-B BOARDS, (6) CAM LOCKING NUTS AND (8) CAM LOCKING SCREWS.



TIER 1-B BOARDS



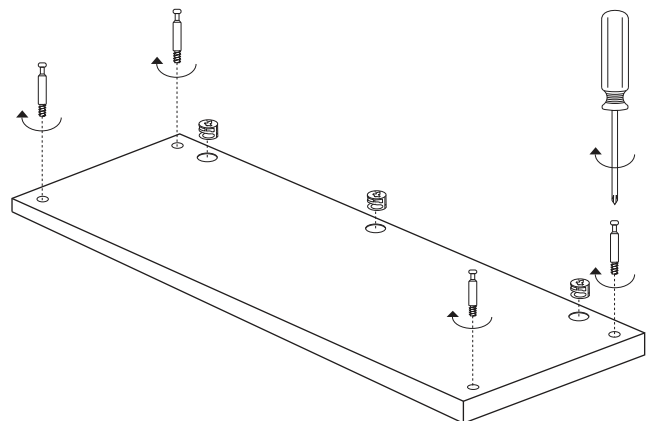
CAM LOCKING SCREW



CAM LOCKING NUT

STEP 5. PLACE (4) CAM LOCKING SCREWS INTO (4) HOLES IN TIER 1-B BOARD. SCREW IN ALL (3) CAM LOCKING NUTS WITH YOUR SCREWDRIVER.

STEP 6. REPEAT STEP 5 FOR THE OTHER TIER 1-B BOARD AND (4) CAM SCREWS & NUTS.



ASSEMBLY INSTRUCTIONS MANUAL

#60287 THREE TIER TABLE RECTANGLE - LIGHT MAPLE

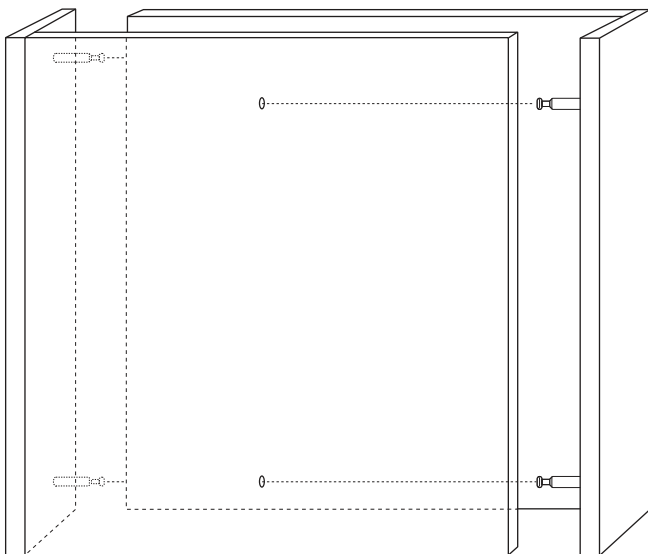
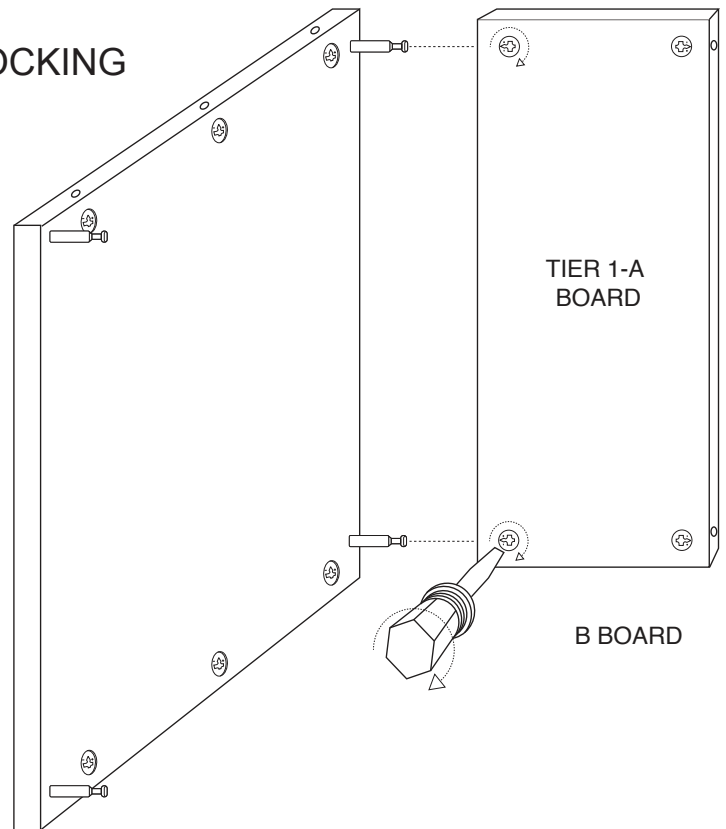
STEP 7. LOCATE BOTH ASSEMBLED TIER 1-A BOARDS (FROM STEPS 1-6) & SCREWDRIVER (NOT INCLUDED WITH HARDWARE, SEE PAGE 3).

WITH THE ARROWS OF ON THE CAM LOCKING NUTS FACING OUT (BOARD A), INSERT SCREWS FROM (TIER 1-B BOARD) INTO THE SIDE OF (TIER 1-A BOARD).

TO LOCK INTO PLACE: USE YOUR SCREWDRIVER TO TIGHTEN CAM LOCKING NUT TURNING CLOCKWISE UNTIL TIGHT.

NOTE: MAKE SURE ALL CAM LOCKING NUTS ARE TIGHTENED SECURELY.

STEP 8. REPEAT STEP 7 FOR THE OTHER TIER 1-A BOARD AND TIER 1-B BOARD.



STEP 9. FINISH TIER 1 ASSEMBLY BY LOCKING TOGETHER BOTH ASSEMBLED SIDES FROM STEPS 7 & 8. USE THE INSTRUCTIONS FROM STEP 7 TO ATTACH ALL FOUR SIDES TOGETHER.

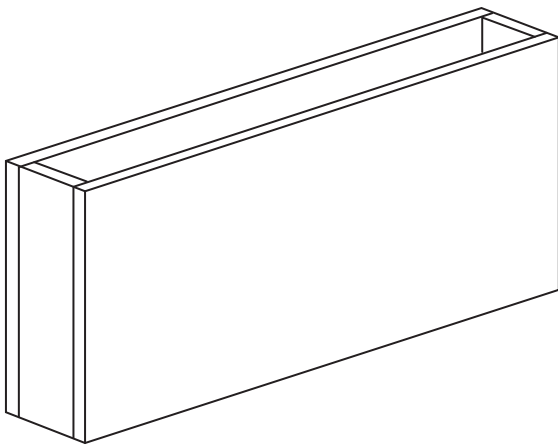
NOTE: MAKE SURE ALL CAM LOCKING NUTS ARE TIGHTENED SECURELY.

ASSEMBLY INSTRUCTIONS MANUAL

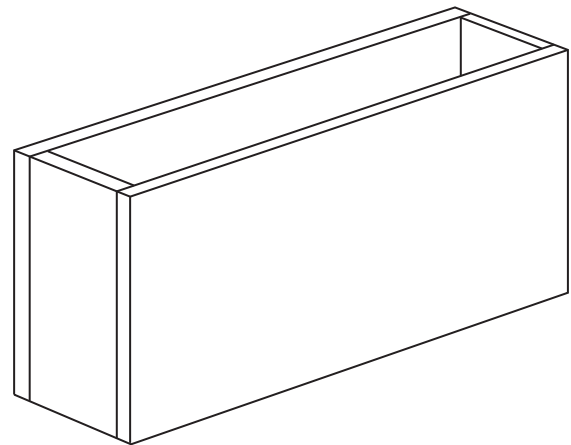
#60287 THREE TIER TABLE RECTANGLE - LIGHT MAPLE

STEP 10. ASSEMBLY FOR TIER 2 AND TIER 3 BOARDS ARE EXACTLY THE SAME AS TIER 1 BOARDS. USE STEPS 1-9 TO COMPLETE ASSEMBLY OF TIER 2 AND THEN TIER 3 BOARDS AND THEIR HARDWARE.

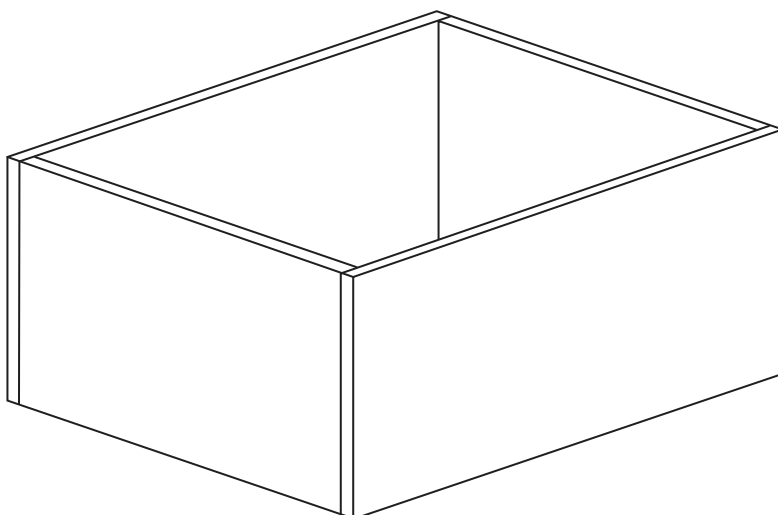
NOTE: TIER BOARDS REQUIRE 2 ADDITIONAL CAM LOCKING NUTS PER BOARD (4 TOTAL).



TIER 1 ASSEMBLY



TIER 2 ASSEMBLY



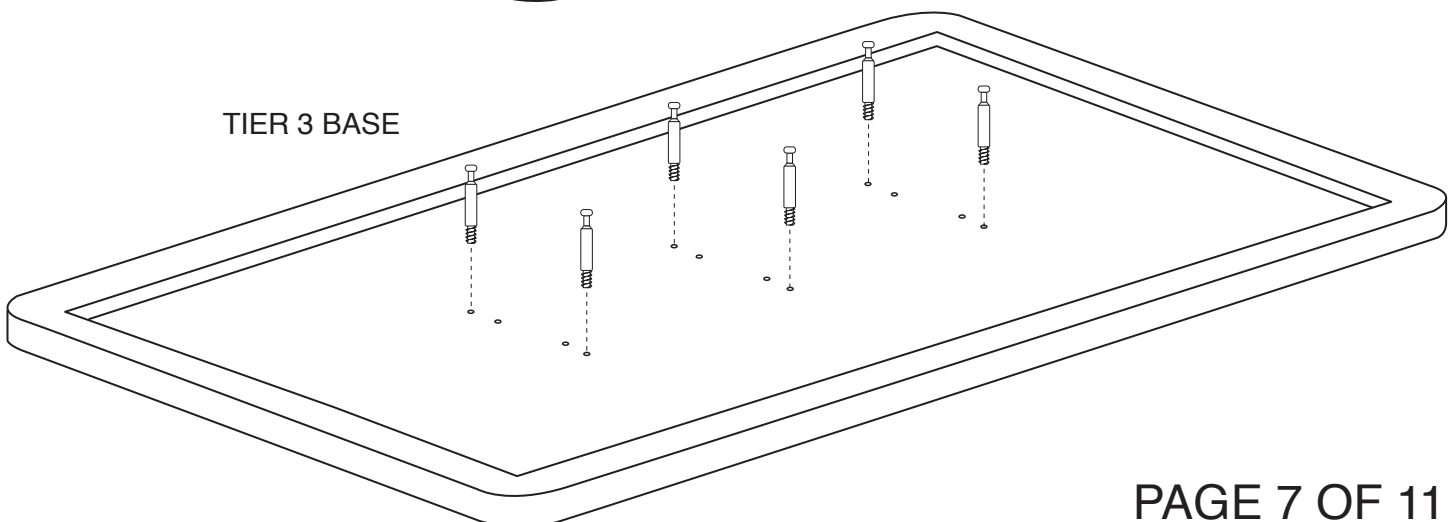
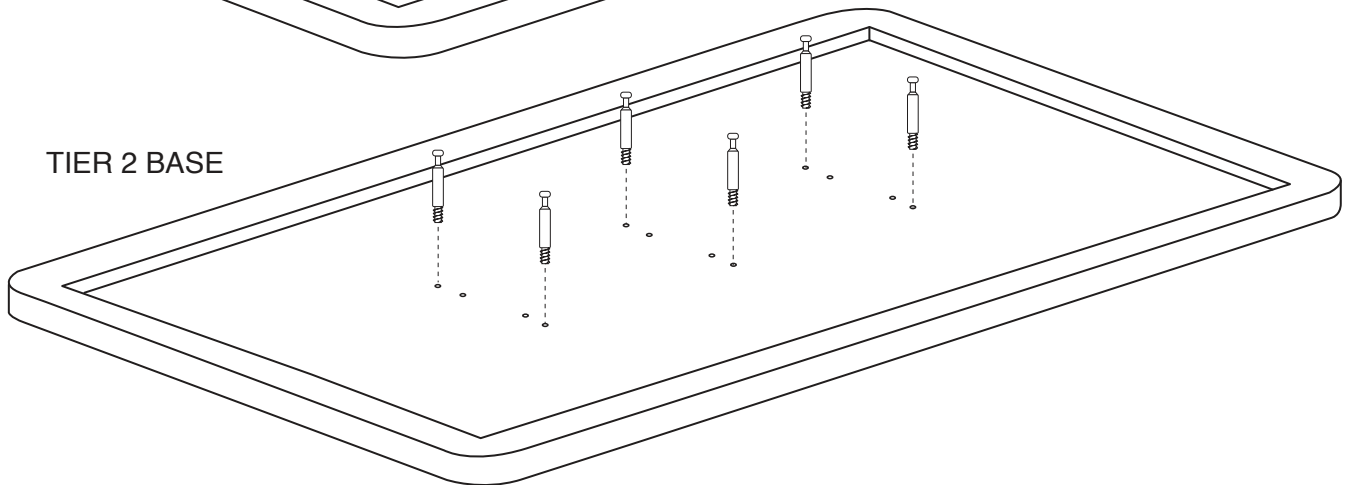
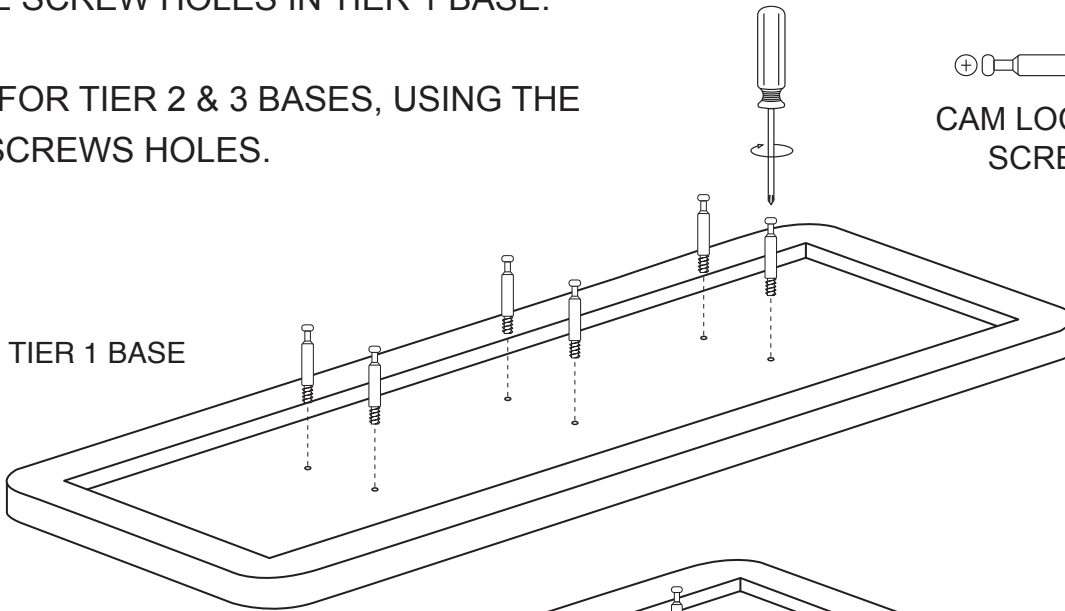
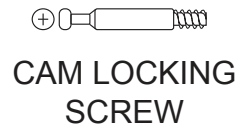
TIER 3 ASSEMBLY

ASSEMBLY INSTRUCTIONS MANUAL

#60287 THREE TIER TABLE RECTANGLE - LIGHT MAPLE

STEP 11. LOCATE TIER 1 BASE, TIER 2 BASE, TIER 3 BASE AND (18) CAM LOCKING SCREWS. USING YOUR SCREWDRIVER, SCREW IN (6) CAM LOCKING SCREWS INTO THE SCREW HOLES IN TIER 1 BASE.

REPEAT FOR TIER 2 & 3 BASES, USING THE OUTER SCREWS HOLES.

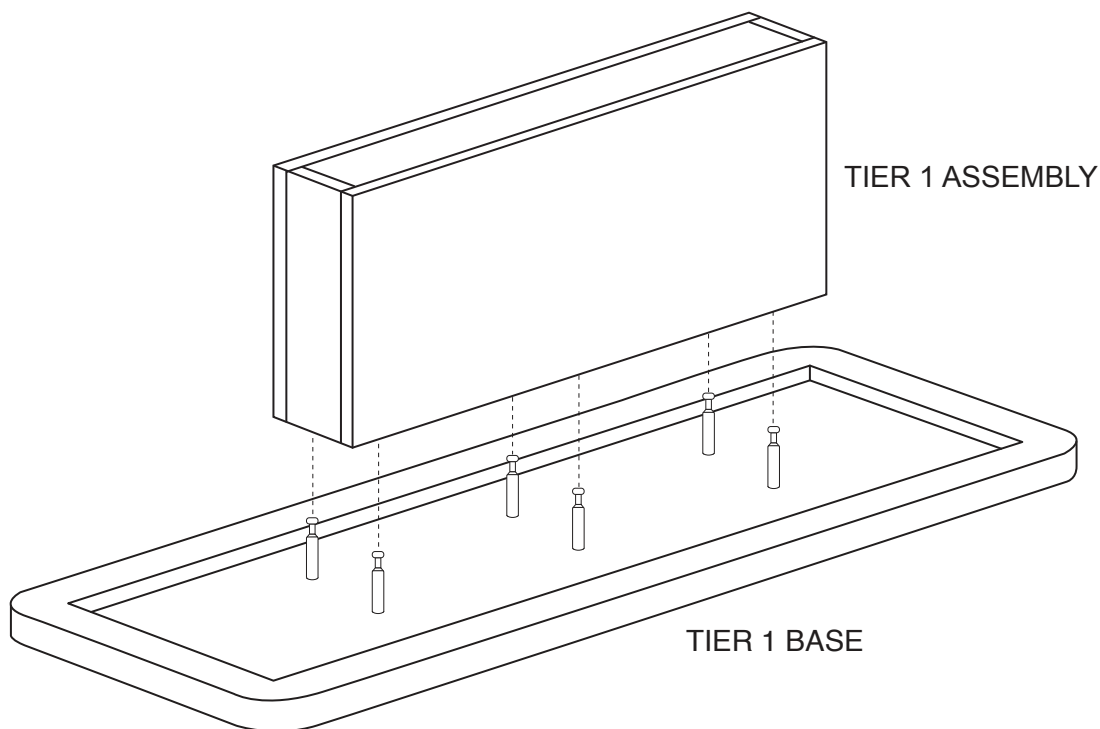


ASSEMBLY INSTRUCTIONS MANUAL

#60287 THREE TIER TABLE RECTANGLE - LIGHT MAPLE

STEP 12. SLIDE THE BOTTOM OF THE TIER 1 ASSEMBLY ONTO THE CAM LOCKING SCREWS OF TIER 1 BASE. USING A SMALL HANDLED SCREWDRIVER, (AS DESCRIBED ON PAGE 3) TIGHTEN THE CAM LOCKING NUTS INSIDE OF THE TIER 1 ASSEMBLY.

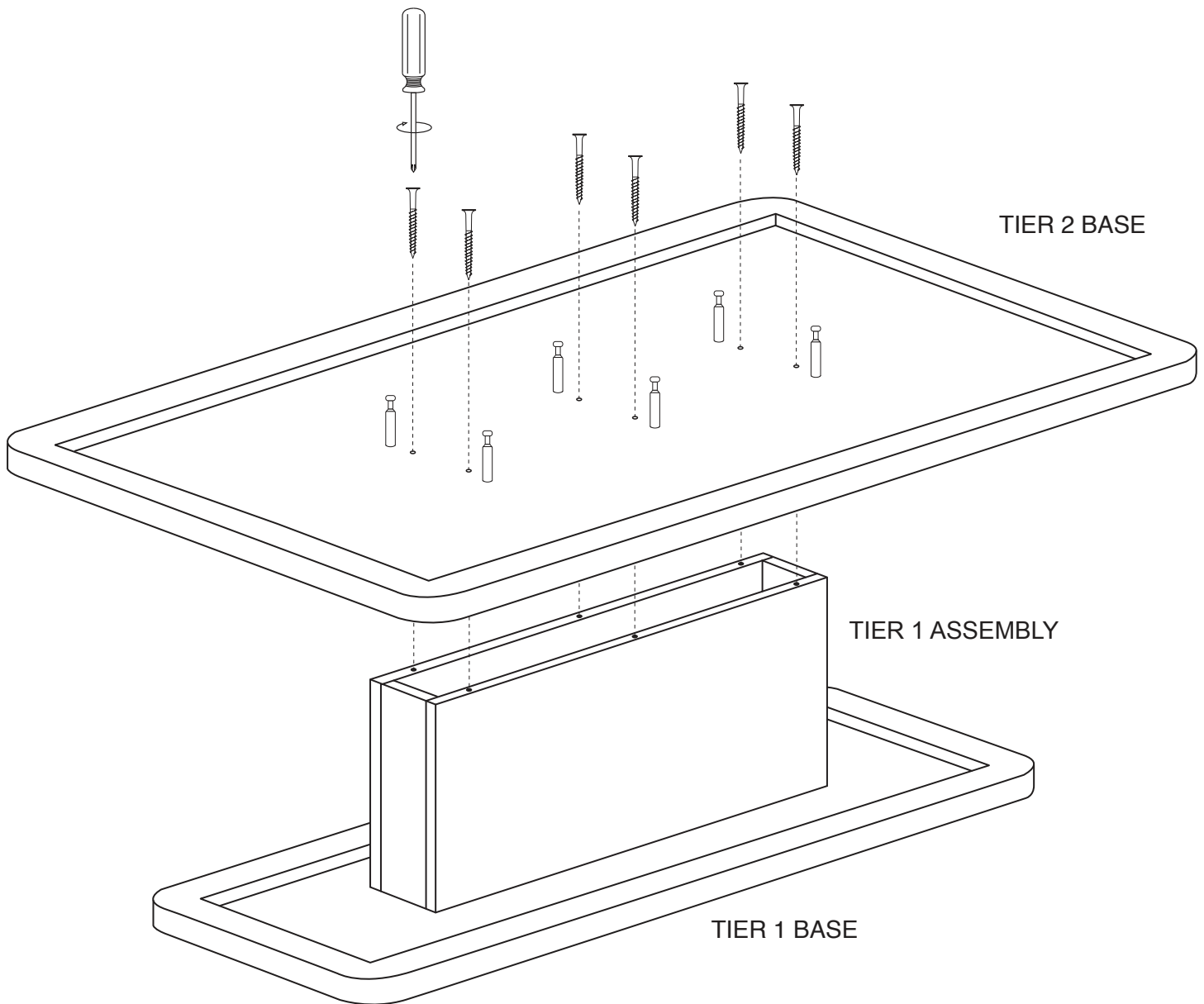
NOTE: THIS ASSEMBLY WILL BE USED FOR **STEP 14.**



ASSEMBLY INSTRUCTIONS MANUAL

#60287 THREE TIER TABLE RECTANGLE - LIGHT MAPLE

STEP 13. PLACE THE TIER 2 BASE ON TOP OF THE TIER 1 ASSEMBLY. LINE UP THE SCREW HOLES FROM THE TIER 2 BASE AND THE TIER 1 ASSEMBLY. WHEN PROPERLY ALIGNED, INSERT (6) WOOD SCREWS INTO THE INNER HOLES OF THE TIER 2 BASE. USE A SCREWDRIVER TO TIGHTEN THE ASSEMBLY TOGETHER.

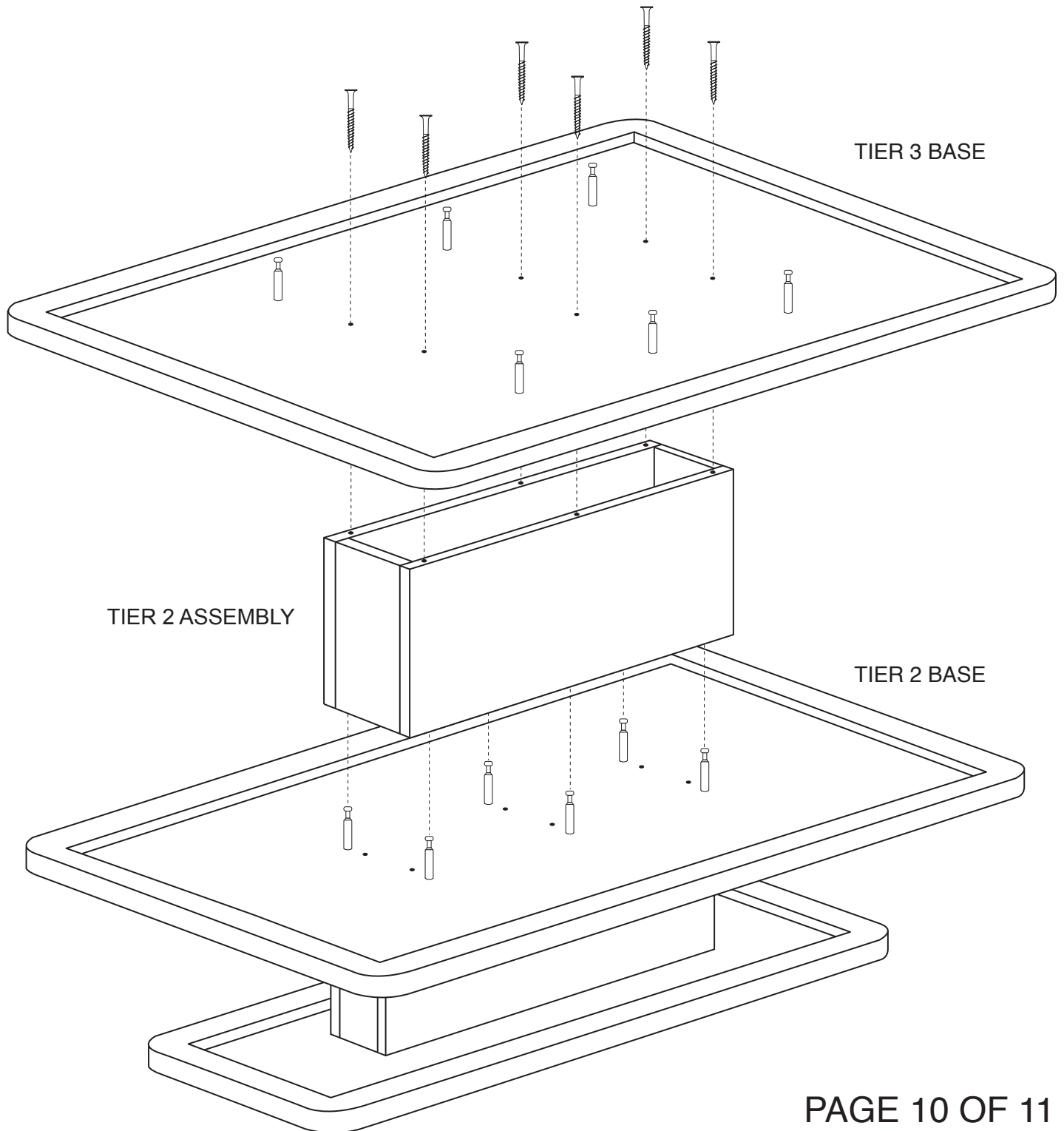


ASSEMBLY INSTRUCTIONS MANUAL

#60287 THREE TIER TABLE RECTANGLE - LIGHT MAPLE

STEP 14. REPEAT **STEP 12** FROM PAGE 8 FOR TIER 2 ASSEMBLY.

STEP 15. REPEAT **STEP 13** FROM PAGE 9 FOR TIER 3 BASE.



ASSEMBLY INSTRUCTIONS MANUAL

#60287 THREE TIER TABLE RECTANGLE - LIGHT MAPLE

STEP 17. REPEAT **STEP 12** FROM PAGE 8 FOR TIER 3 ASSEMBLY.

THIS COMPLETES THE ASSEMBLY.

