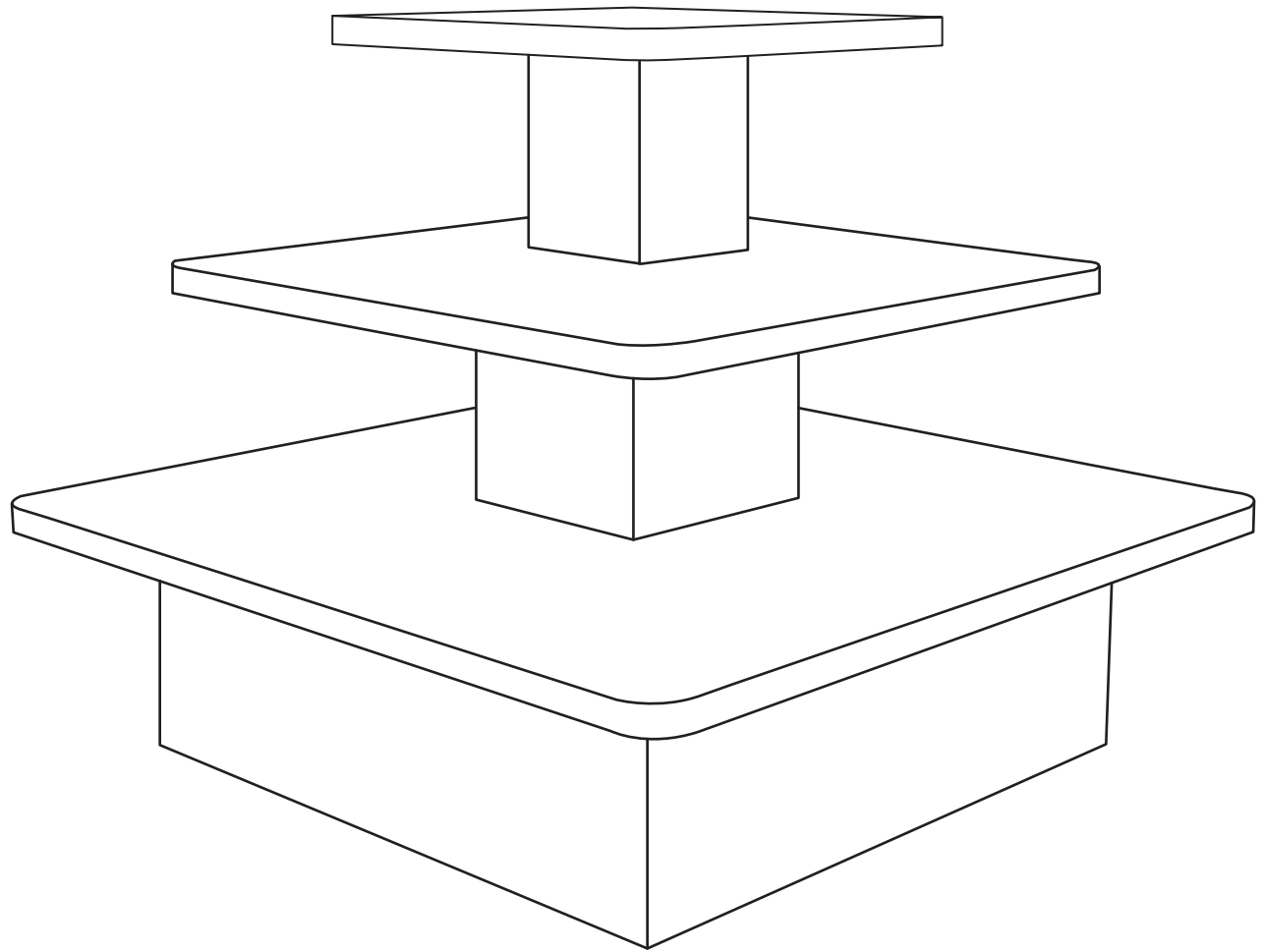


ASSEMBLY INSTRUCTIONS MANUAL

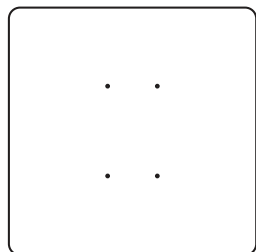
#60401 THREE TIER TABLE SQUARE - CHERRY



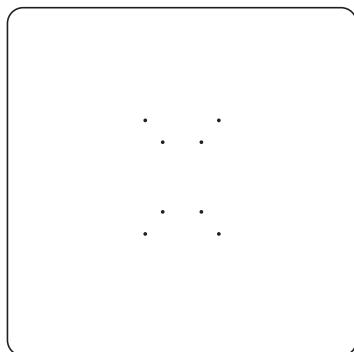
ASSEMBLY INSTRUCTIONS MANUAL

#60401 THREE TIER TABLE SQUARE - CHERRY

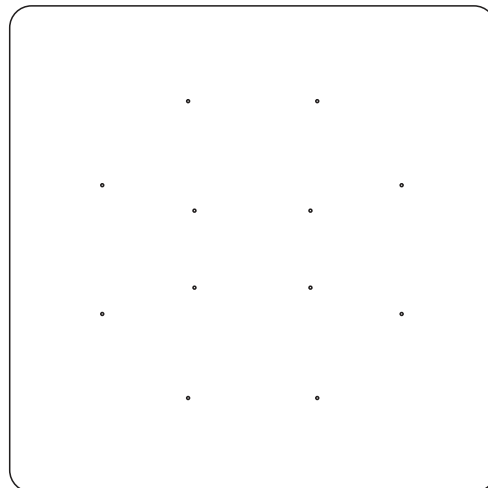
PARTS IN CARTON:



TIER 1 BASE
1 EACH (BOTTOM VIEW)



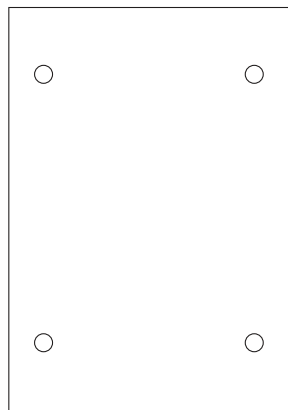
TIER 2 BASE
1 EACH (BOTTOM VIEW)



TIER 3 BASE
1 EACH (BOTTOM VIEW)



TIER 1-A BOARD
2 EACH (INSIDE VIEW)



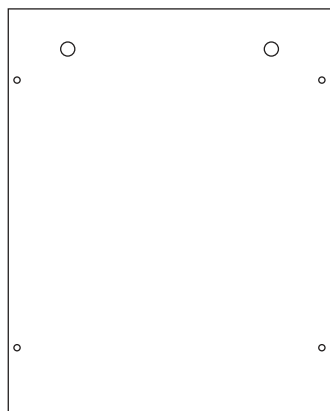
TIER 2-A BOARD
2 EACH (INSIDE VIEW)



TIER 3-A BOARD
2 EACH (INSIDE VIEW)



TIER 1-B BOARD
2 EACH (INSIDE VIEW)



TIER 2-B BOARD
2 EACH (INSIDE VIEW)



TIER 3-B BOARD
2 EACH (INSIDE VIEW)

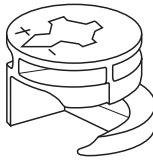
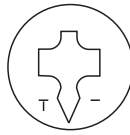
ASSEMBLY INSTRUCTIONS MANUAL

#60401 THREE TIER TABLE SQUARE - CHERRY

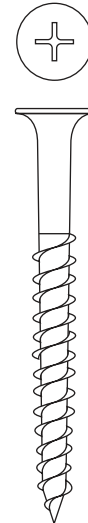
PARTS IN CARTON:



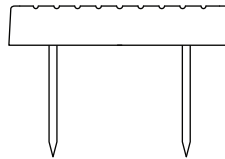
CAM LOCKING SCREW
(40 EACH)



CAM LOCKING NUT
(40 EACH)



2" WOOD SCREW
(8 EACH)



PLASTIC BASE PAD
(4 EACH)

***SAFETY NOTICE:** THE FINAL STEPS OF INSTALLATION REQUIRE LIFTING LARGE HEAVY OBJECTS - TWO PEOPLE ARE RECOMMENDED.

YOU WILL NEED TO SUPPLY YOUR OWN SCREWDRIVERS AND HAMMER FOR INSTALLATION. INSTALLATION WILL REQUIRE THE USE OF A SCREWDRIVER (REGULAR OR PHILLIPS-HEAD) TO BE SMALL ENOUGH TO FIT INTO A 6.5 INCH SPACE. THIS IS FOR THE INSTALLATION FOR SOME OF THE CAM LOCKING NUTS.

STANDARD PHILLIPS-HEAD SCREWDRIVER IS NEEDED FOR THE INSTALLATION OF THE 2 INCH WOOD SCREWS AND THE CAM LOCKING SCREWS.

ASSEMBLY INSTRUCTIONS MANUAL

#60401 THREE TIER TABLE SQUARE - CHERRY

STEP 1. LOCATE (2) TIER 1-A BOARDS AND (8) CAM LOCKING NUTS.



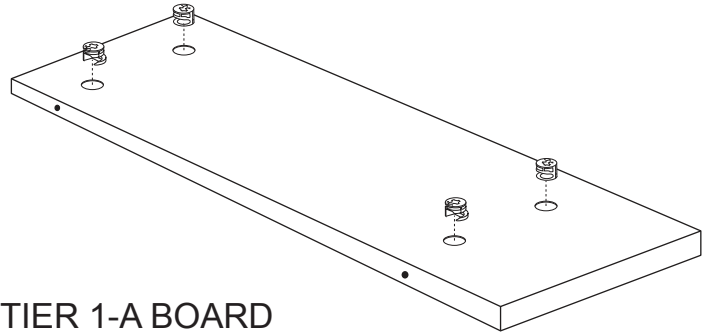
TIER 1-A BOARDS



CAM LOCKING NUTS

STEP 2. PLACE (4) CAM LOCKING NUTS INTO EACH OF THE HOLES IN TIER 1-A BOARD.

NOTE: MAKE SURE THE ARROW ON THE CAM LOCKING NUTS ARE FACING TOWARDS THE CLOSEST EDGE OF THE BOARD.

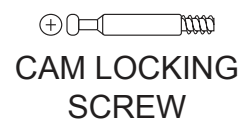


STEP 3. REPEAT STEP 2 FOR THE OTHER TIER 1-A BOARD AND (4) CAM LOCKING NUTS.

STEP 4. LOCATE (2) TIER 1-B BOARDS, (8) CAM LOCKING SCREWS AND (4) CAM LOCKING SCREWS.



TIER 1-B BOARDS



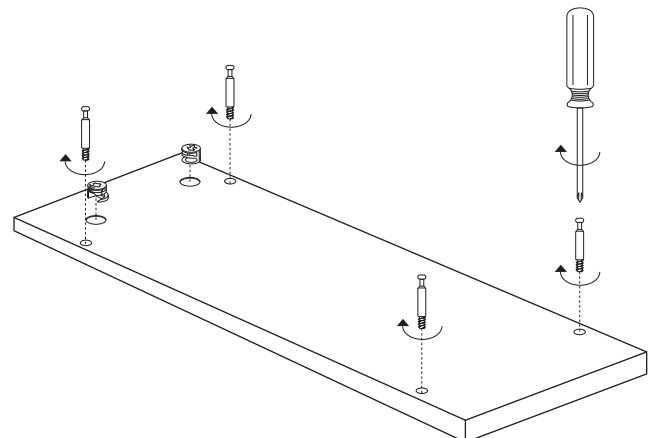
CAM LOCKING SCREW



CAM LOCKING NUT

STEP 5. PLACE (2) CAM LOCKING SCREWS INTO BOTH HOLES IN TIER 1-B BOARD. SCREW IN ALL (4) CAM LOCKING NUTS WITH YOUR SCREWDRIVER.

STEP 6. REPEAT STEP 5 FOR THE OTHER TIER 1-B BOARD AND (4) CAM SCREWS & NUTS.



ASSEMBLY INSTRUCTIONS MANUAL

#60401 THREE TIER TABLE SQUARE - CHERRY

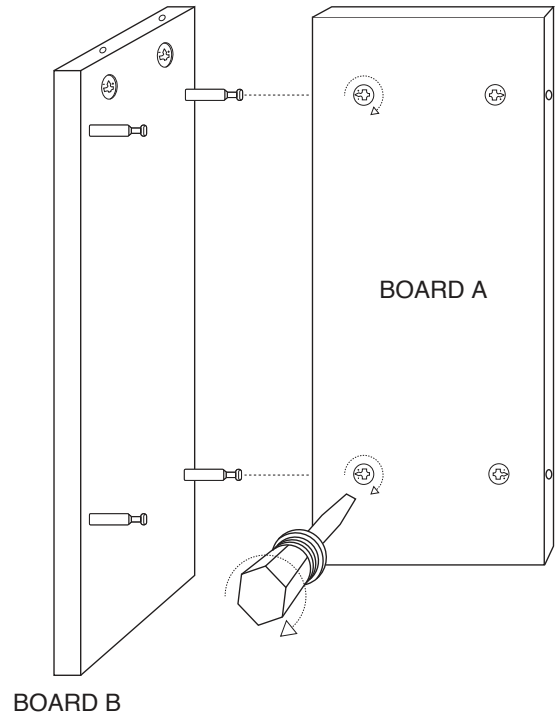
STEP 7. LOCATE ALL ASSEMBLED TIER 1 BOARDS (FROM STEPS 1-6) & SCREWDRIVER (NOT INCLUDED WITH HARDWARE, SEE PAGE 3).

INSERT SCREWS FROM (TIER 1-B BOARD)
INTO THE SIDE OF (TIER 1-A BOARD).

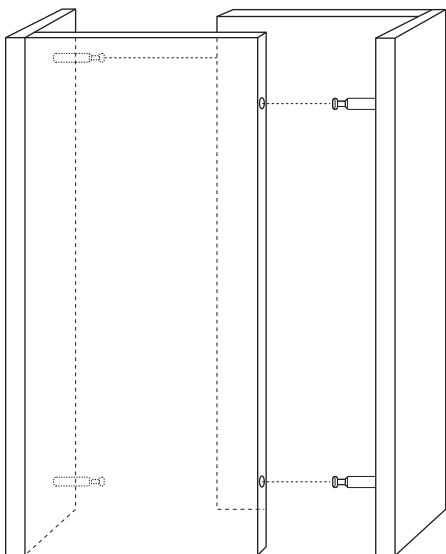
WITH THE ARROWS OF ON THE CAM LOCKING
NUTS FACING OUT (BOARD A), INSERT CAM
LOCKING NUTS (BOARD B).

TO LOCK INTO PLACE: USE YOUR
SCREWDRIVER TO TIGHTEN CAM
LOCKING NUT TURNING CLOCKWISE
UNTIL TIGHT.

NOTE: MAKE SURE ALL CAM LOCKING NUTS
ARE TIGHTENED SECURELY.



STEP 8. REPEAT STEP 7 FOR THE OTHER TIER 1-A BOARD AND TIER 1-B BOARD.



STEP 9. FINISH TIER 1 ASSEMBLY BY LOCKING
TOGETHER BOTH ASSEMBLED SIDES FROM STEPS
7 & 8. USE THE INSTRUCTIONS FROM STEP 7
TO ATTACH ALL FOUR SIDES TOGETHER.

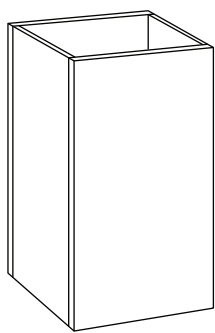
NOTE: MAKE SURE ALL CAM LOCKING NUTS
ARE TIGHTENED SECURELY.

ASSEMBLY INSTRUCTIONS MANUAL

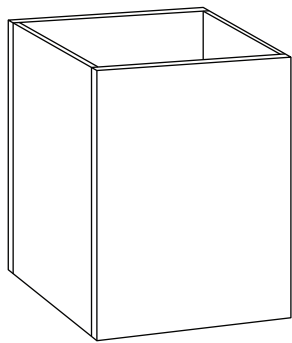
#60401 THREE TIER TABLE SQUARE - CHERRY

STEP 10. ASSEMBLY FOR TIER 2 AND TIER 3 BOARDS ARE EXACTLY THE SAME AS TIER 1 BOARDS. USE STEPS 1-9 TO COMPLETE ASSEMBLY OF TIER 2 AND THEN TIER 3 BOARDS AND THEIR HARDWARE.

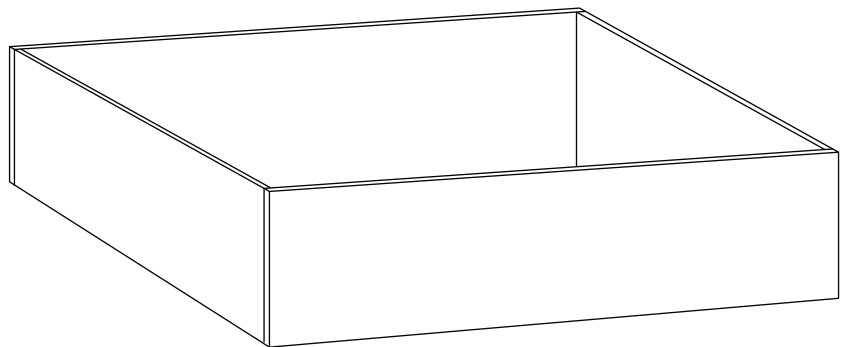
NOTE: TIER BOARDS REQUIRE 2 ADDITIONAL CAM LOCKING NUTS PER BOARD (4 TOTAL).



TIER 1
ASSEMBLY

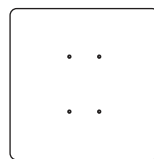


TIER 2
ASSEMBLY

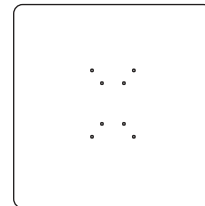


TIER 3
ASSEMBLY

STEP 11. LOCATE (1) TIER 1 BASE, (1) TIER 2 BASE AND (8) CAM LOCKING SCREWS.



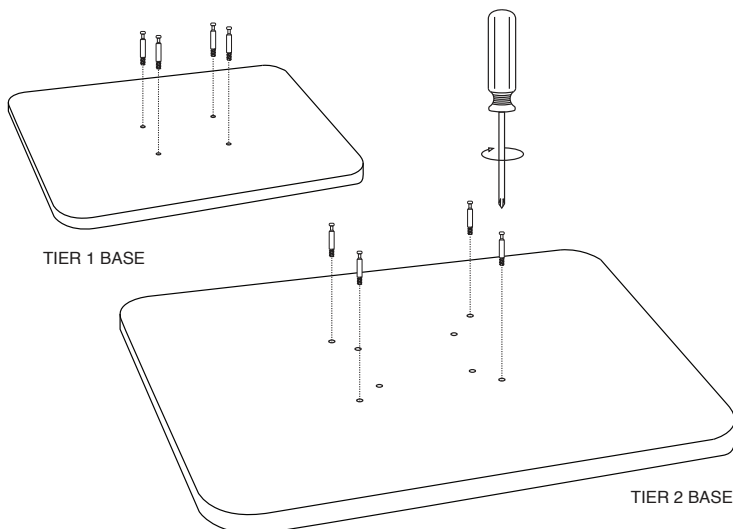
TIER 1 BASE



TIER 2 BASE



CAM LOCKING
SCREW



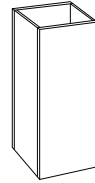
STEP 12. USING YOUR SCREWDRIVER, SCREW IN (4) CAM LOCKING SCREWS INTO THE SCREW HOLES IN TIER 1 BASE.

REPEAT FOR TIER 2 BASE, USING THE OUTER SCREWS HOLES.

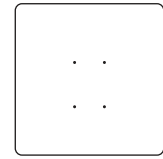
ASSEMBLY INSTRUCTIONS MANUAL

#60401 THREE TIER TABLE SQUARE - CHERRY

STEP 13. LOCATE (1) TIER 1 ASSEMBLY,(1) TIER 1 BASE (WITH HARDWARE).

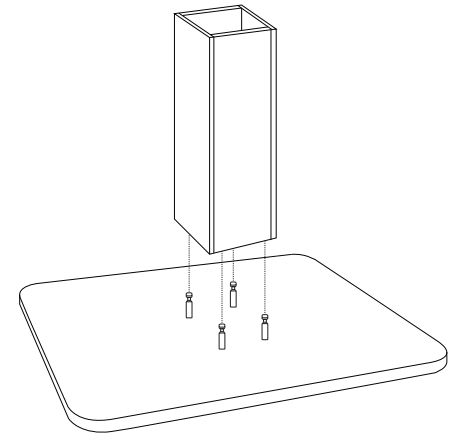


TIER 1 ASSEMBLY



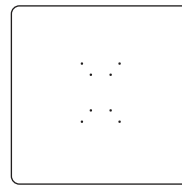
TIER 1 BASE

STEP 14. SLIDE THE BOTTOM OF THE TIER 1 ASSEMBLY ONTO THE CAM LOCKING SCREWS.USING THE SMALL HANDLED SCREWDRIVER, (AS DESCRIBED ON PAGE 3) TIGHTEN THE CAM LOCKING NUTS INSIDE OF THE TIER 1 ASSEMBLY.

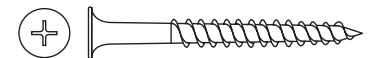


NOTE: THIS ASSEMBLY WILL BE USED FOR STEP 16.

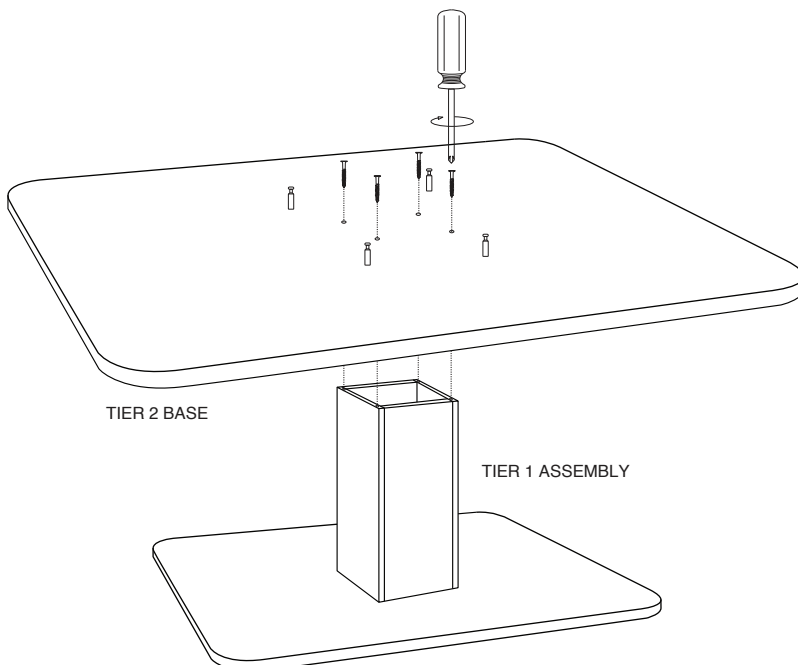
STEP 15. LOCATE (1) TIER 2 BASE (WITH HARDWARE) AND (4 - 2 INCH) WOOD SCREWS.



TIER 2 BASE



2 INCH WOOD SCREWS

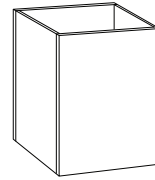


STEP 16. PLACE THE TIER 2 BASE ON TOP OF THE TIER 1 ASSEMBLY. LINE UP THE SCREW HOLES FROM THE TIER 2 BASE AND THE TIER 1 ASSEMBLY. WHEN PROPERLY ALIGNED, USE A SCREWDRIVER WITH THE (4 - 2 INCH) WOOD SCREWS TO TIGHTEN THE ASSEMBLY TOGETHER.

ASSEMBLY INSTRUCTIONS MANUAL

#60401 THREE TIER TABLE SQUARE - CHERRY

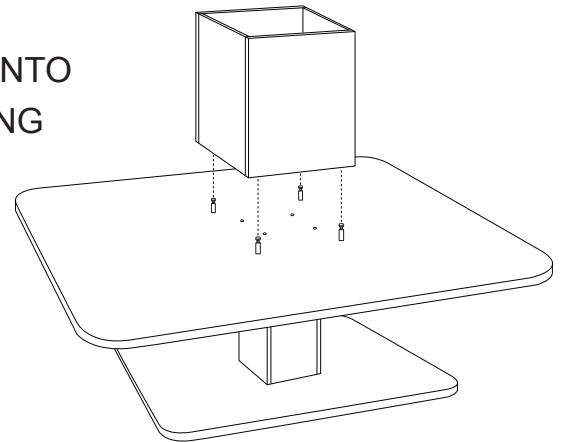
STEP 17. LOCATE (1) TIER 2 ASSEMBLY, PARTIALLY ASSEMBLED TABLE.



TIER 2 ASSEMBLY

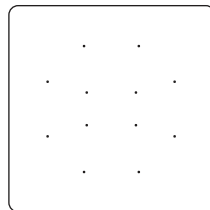
STEP 18.

SLIDE THE BOTTOM HOLES OF TIER 2 ASSEMBLY ONTO THE CAM LOCKING NUTS OF THE TIER 2 BASE. USING A SCREWDRIVER, TIGHTEN THE CAM LOCKING NUTS INSIDE OF THE TIER 2 ASSEMBLY.



NOTE: MAKE SURE ALL OF THE CAM LOCKING NUTS ARE TIGHTENED BEFORE MOVING ON TO THE NEXT STEP.

STEP 19. LOCATE (1) TIER 3 BASE AND (8) CAM LOCKING NUTS.

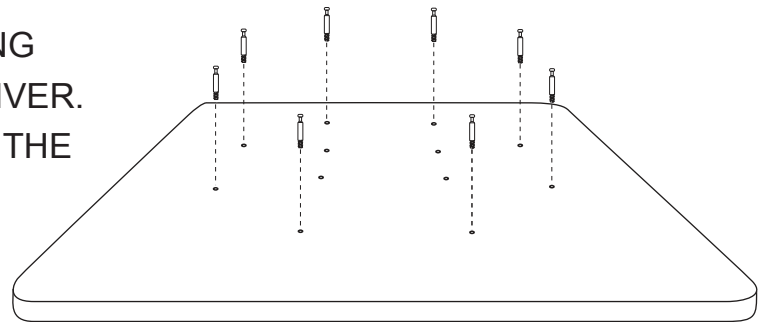


TIER 3 BASE

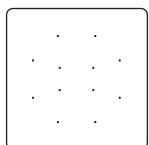


CAM LOCKING SCREW

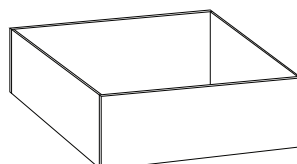
STEP 20. SCREW IN ALL (8) CAM LOCKING NUTS ON TIER 3 BASE WITH SCREWDRIVER. USE THE OUTSIDE SCREW HOLES FOR THE CAM LOCKING NUTS.



STEP 21. LOCATE (1) TIER 3 BASE (WITH HARDWARE) AND (1) TIER 3 ASSEMBLY.



TIER 3 BASE



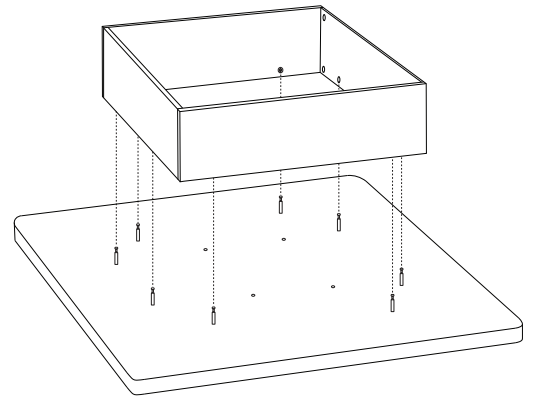
TIER 3 ASSEMBLY

ASSEMBLY INSTRUCTIONS MANUAL

#60401 THREE TIER TABLE SQUARE - CHERRY

STEP 22. SLIDE THE BOTTOM HOLES OF THE TIER 3 ASSEMBLY ONTO THE CAM LOCKING NUTS OF THE TIER 3 BASE.

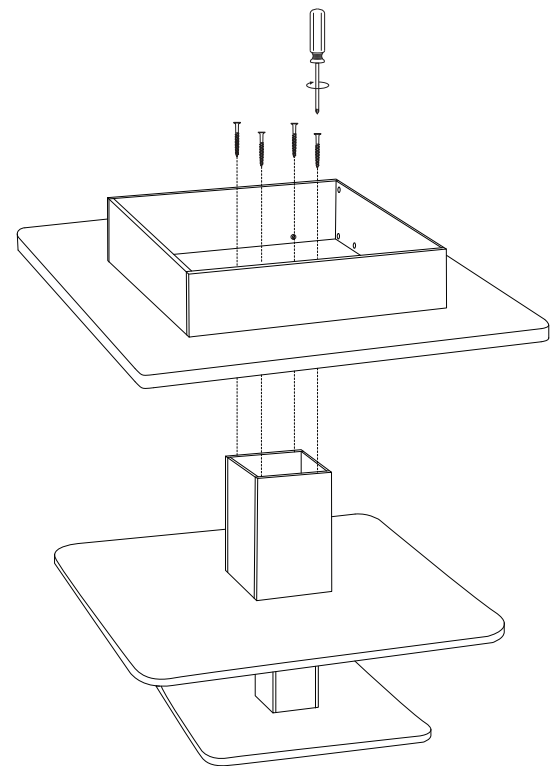
USING A SCREWDRIVER, TIGHTEN THE CAM LOCKING NUTS INSIDE OF THE ASSEMBLY (8 CAMS TOTAL).



NOTE: 2 PEOPLE RECOMMENDED IN THE NEXT 2 STEPS.
THE BASE WILL BE LARGE AND HEAVY.

STEP 23. PLACE THE TIER 3 BASE ON TOP OF THE PARTIAL ASSEMBLED TABLE. LINE UP SCREW HOLES FROM TIER 3 BASE AND THE TIER 2 ASSEMBLY. WHEN PROPERLY ALIGNED, USE A SCREWDRIVER WITH THE (4 - 2 INCH) WOOD SCREWS TO TIGHTEN THE ASSEMBLY TOGETHER.

AFTER THE ASSEMBLY IS COMPLETED, TURN THE TABLE OVER (2 PEOPLE RECOMMENDED). THIS COMPLETES THE ASSEMBLY.



STEP 24. GENTLY HAMMER PLASTIC FOOT PEGS INTO TEIR 3 BASE. IT IS RECOMMENDED THAT 2 PER SIDE, ABOUT 2 INCHES IN FROM THE EDGES (8 TOTAL).

AFTER THE ASSEMBLY IS COMPLETED, TURN THE TABLE OVER (2 PEOPLE RECOMMENDED). THIS COMPLETES THE ASSEMBLY.

