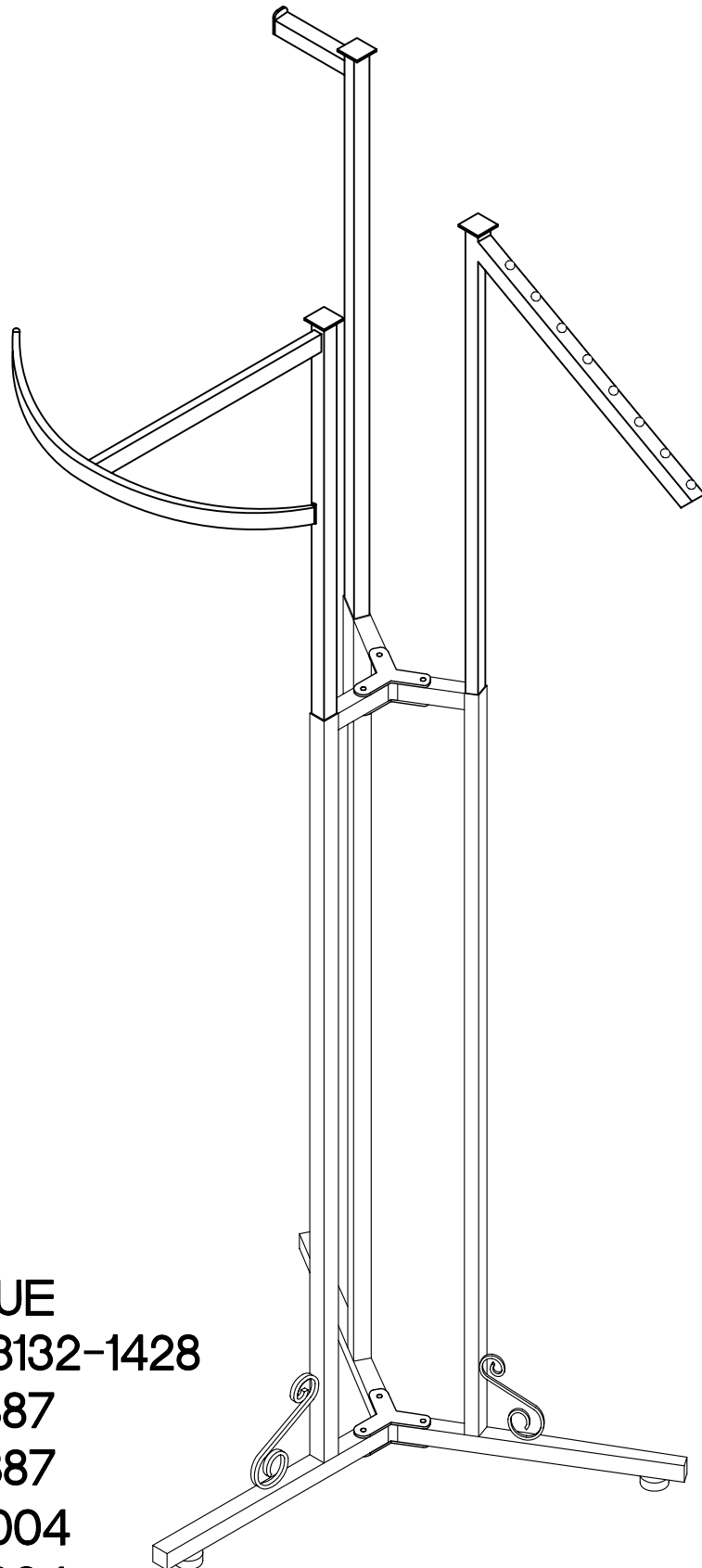


ASSEMBLY INSTRUCTION MANUAL

#60-480 COBBLESTONE 3 WAY RACK



9801 PAGE AVENUE
ST. LOUIS, MO. 63132-1428
TEL: (314) 427-8887
or (800) 823-8887
FAX: (314) 427-0004
or (800) 823-0004

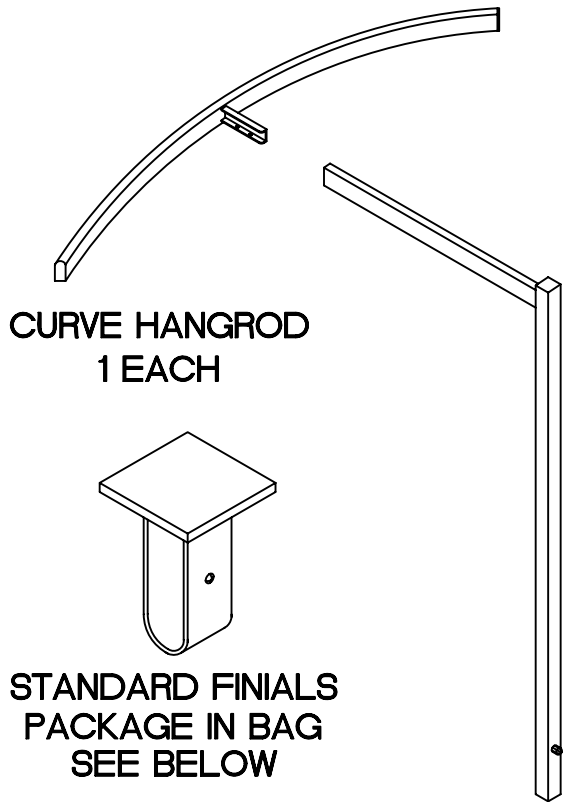
Final: 10/25/10



60-480 ASSEMBLY INSTRUCTION

COBBLESTONE 3 WAY RACK

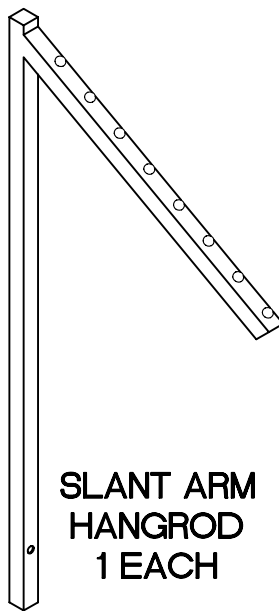
PARTS IN CARTON:



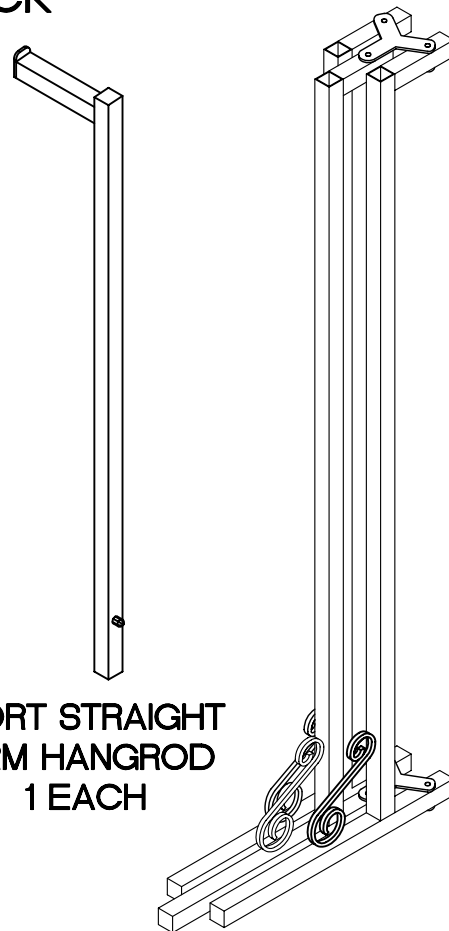
CURVE HANGROD
1 EACH

STANDARD FINIALS
PACKAGE IN BAG
SEE BELOW

HANGROD STRAIGHT ARM
1 EACH



SLANT ARM
HANGROD
1 EACH



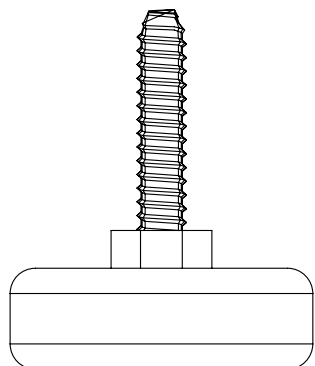
SHORT STRAIGHT
ARM HANGROD
1 EACH

3 LEG BASE SECTION
1 EACH

HARDWARE IN BAGS

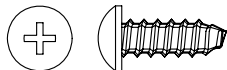
NOTE: HARDWARE BELOW ARE SHOWN ACTUAL SIZE:
IF YOU ARE NOT SURE WHICH PART IS CORRECT
THEN PLACE PIECE ON TOP OF DRAWINGS FOR
HELP DURING ASSEMBLY.

BAG 1 - CONTAINS



3 EACH - LEVELERS

FOR ATTACHING THE
CURVE HANGROD



2 EACH - SCREWS
or



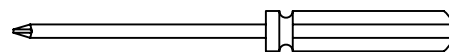
2 EACH - SET SCREWS

and NOT ACTUAL SIZE



1 EACH - ALLEN WRENCH

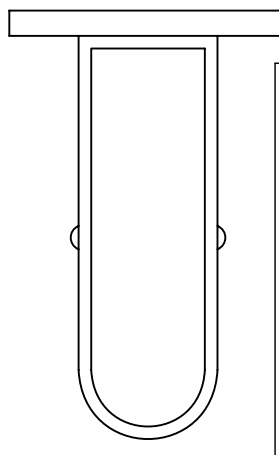
TOOL REQUIRED NOT SUPPLIED



PHILLIPS HEAD SCREWDRIVER

BAG 2 - CONTAINS

3 EACH - STANDARD FINIALS



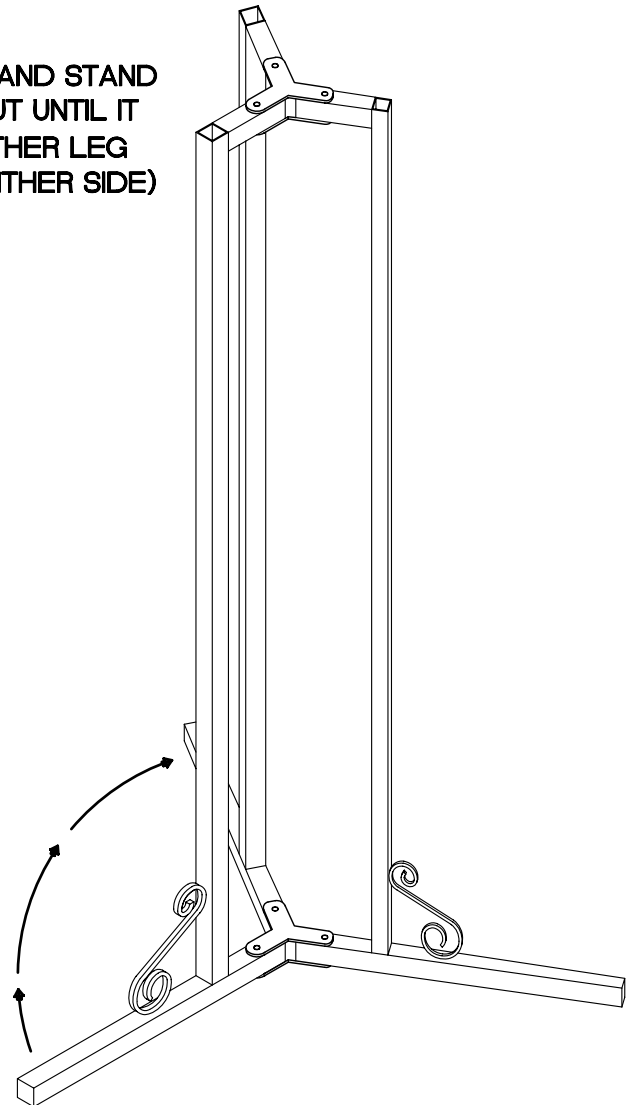
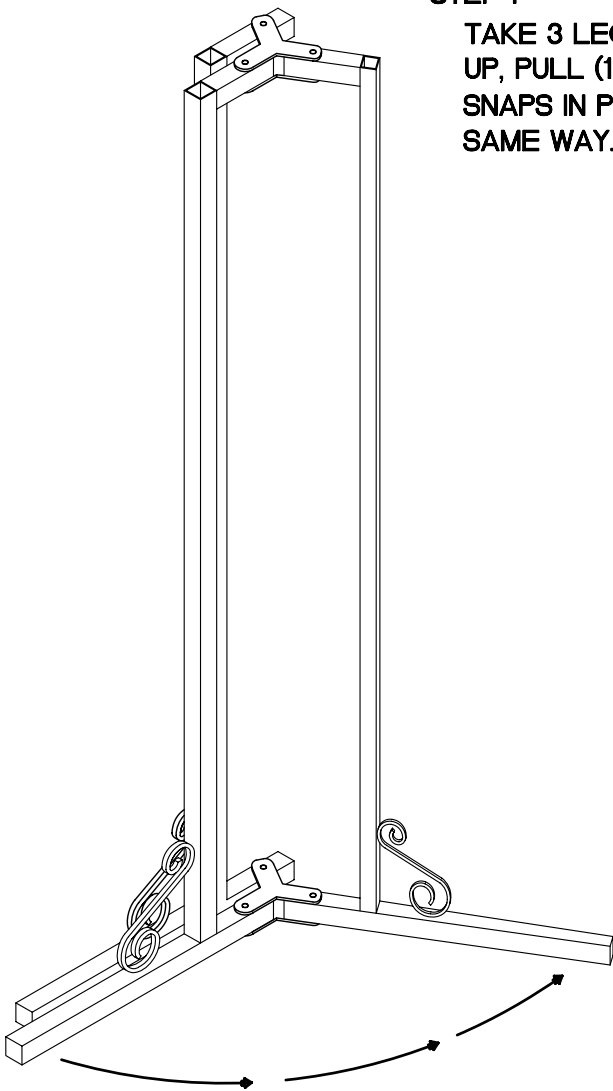
60-480 ASSEMBLY INSTRUCTION

COBBLESTONE 3 WAY RACK

ASSEMBLY STEPS:

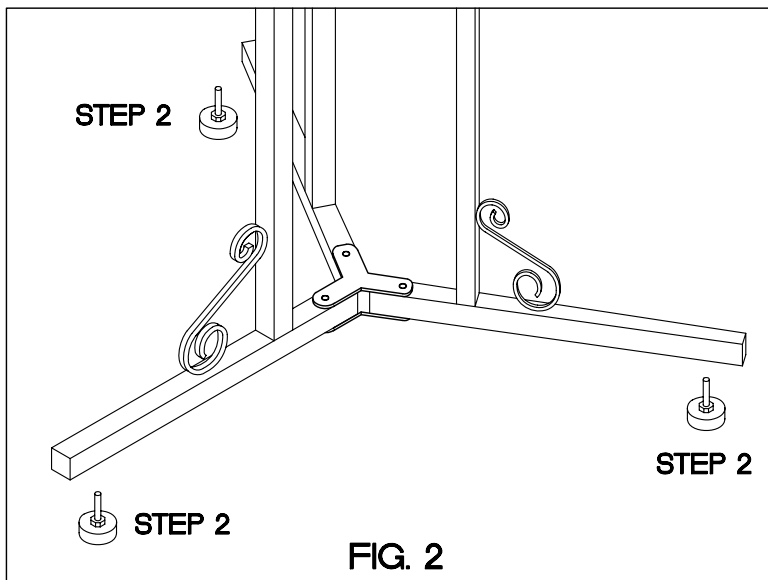
STEP 1

TAKE 3 LEG BASE SECTION AND STAND UP, PULL (1) LEG UPRIGHT OUT UNTIL IT SNAPS IN PLACE. REPEAT OTHER LEG SAME WAY. (SEE DIAGRAM EITHER SIDE)



STEP 2

SCREW THE LEVELERS INTO THE BOTTOM ENDS OF RAILS AS SHOWN IN (FIG. 2 TO THE LEFT)



60-480 ASSEMBLY INSTRUCTION

COBBLESTONE 3 WAY RACK

ASSEMBLY STEPS CONTINUES:

STEP 3

ASSEMBLE THE CURVE FRONT HANGROD STRAIGHT ARM BRACKET, SLIDE THE CURVE FRONT INTO THE END OF THE STRAIGHT ARM. PLACE THE PHILLIPS HEADS SCREWS INTO THE HOLE ON BOTTOM SIDE OF THE STRAIGHT ARM, TIGHTEN USING A PHILLIPS HEAD SCREWDRIVER. (SEE FIG. 3)

NOTE: SOME FIXTURES MAY COME WITH ALLEN HEAD SET SCREWS AND ALLEN WRENCH INSTEAD OF THE PHILLIPS HEAD SCREWS

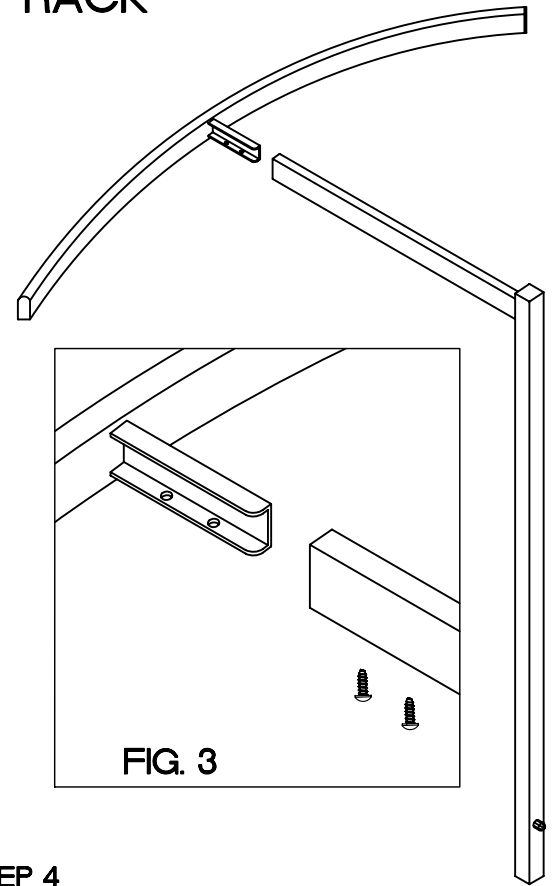


FIG. 3

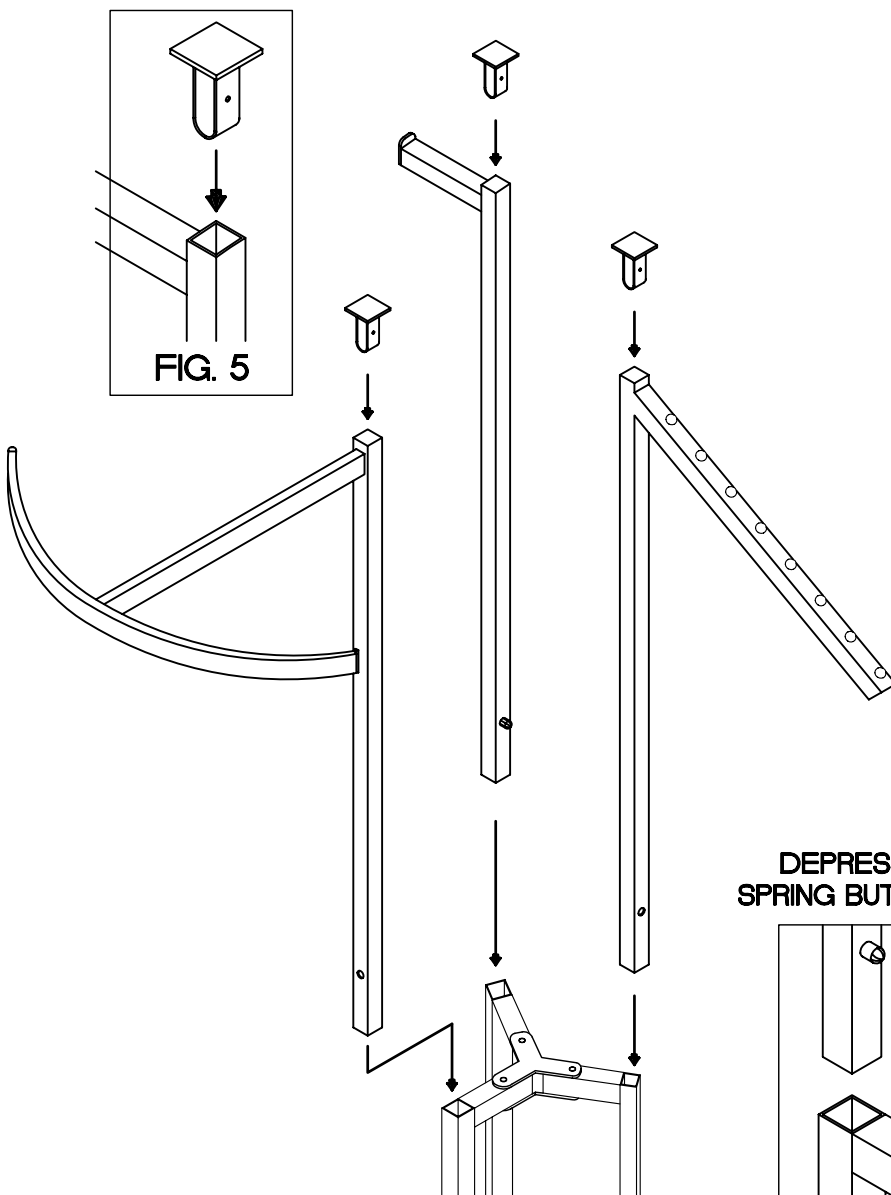


FIG. 5

STEP 4

INSTALL HANGROD ARMS PLACE ARMS INTO UPRIGHT TUBE WITH THE SPRING BUTTON TOWARD THE HOLES. DEPRESS THE SPRING BUTTON SO THE ARM SLIDES INTO TUBE. PUSH THE ARM DOWN UNTIL IT SNAPS INTO THE ADJUSTMENT HOLE. REPEAT THE SAME PROCEDURE UNTIL HEIGHT HAS BEEN ACHIEVED. (SEE FIG. 4 BELOW)

STEP 5

PUSH THE STANDARD FINIALS INTO THE TOP OF ARMS. (SEE FIG. 5)

DEPRESS
SPRING
BUTTON

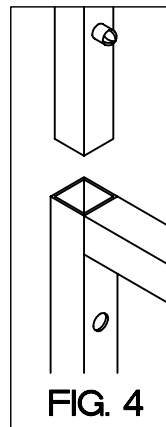


FIG. 4

UNIT IS COMPLETE
SEE COVER FOR ASSEMBLED
FIXTURE

