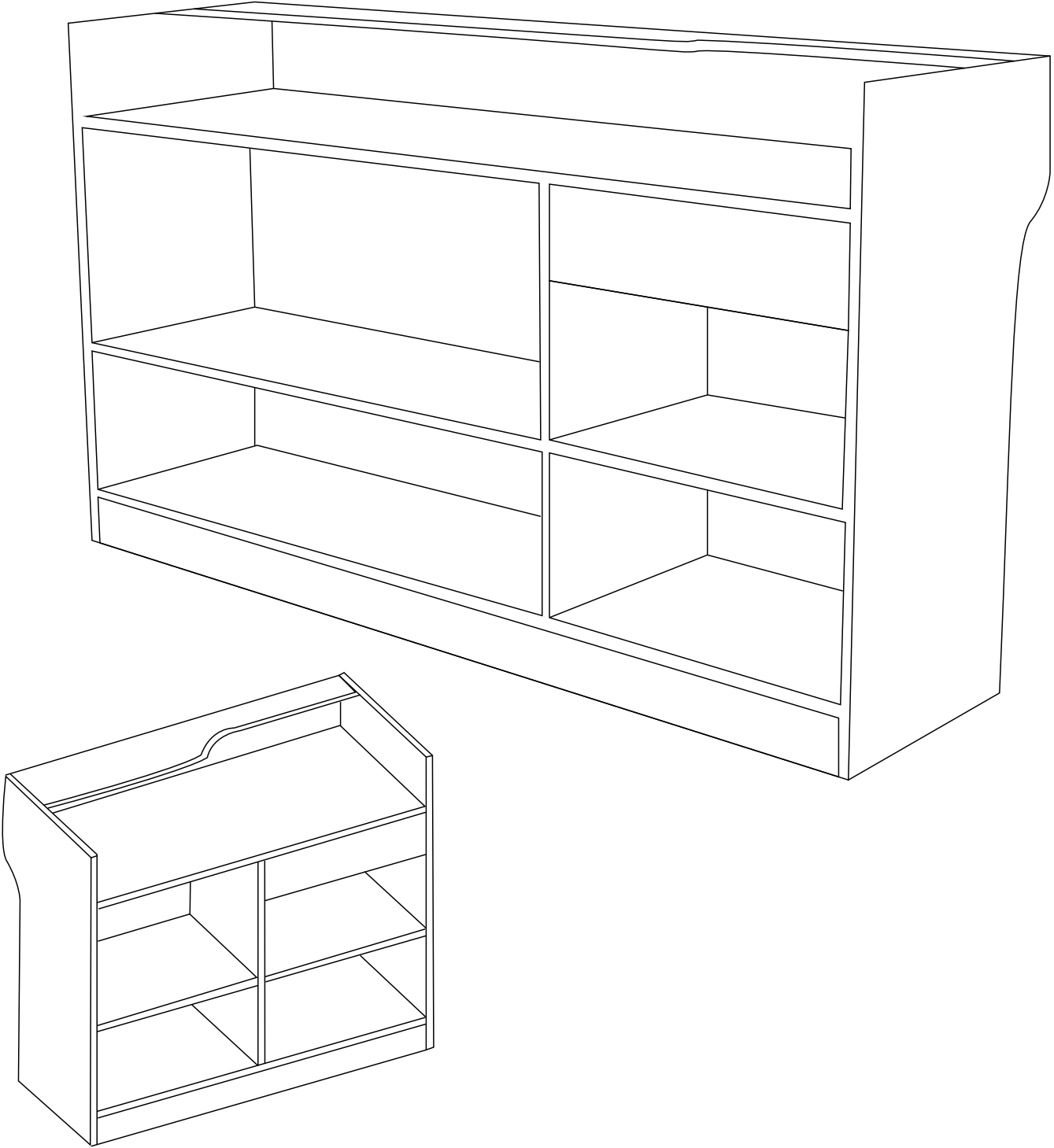


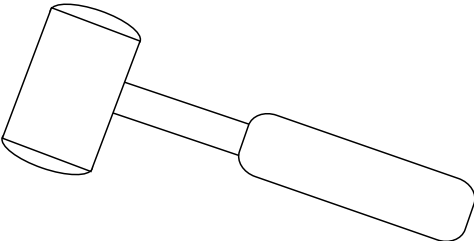
# Assembly Instruction Manual

## ledgetop counter

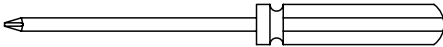


# Assembly Instruction Manual ledgetop counter

## Recommended Tools for Assembly



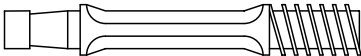
Mallet



Phillips Screw Driver

---

### Parts Included:



Cam Lock Screws (63)



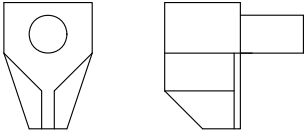
1.25in Screws (5)



Round Stickers (19)



Camlock Nut (pre-installed already (63))



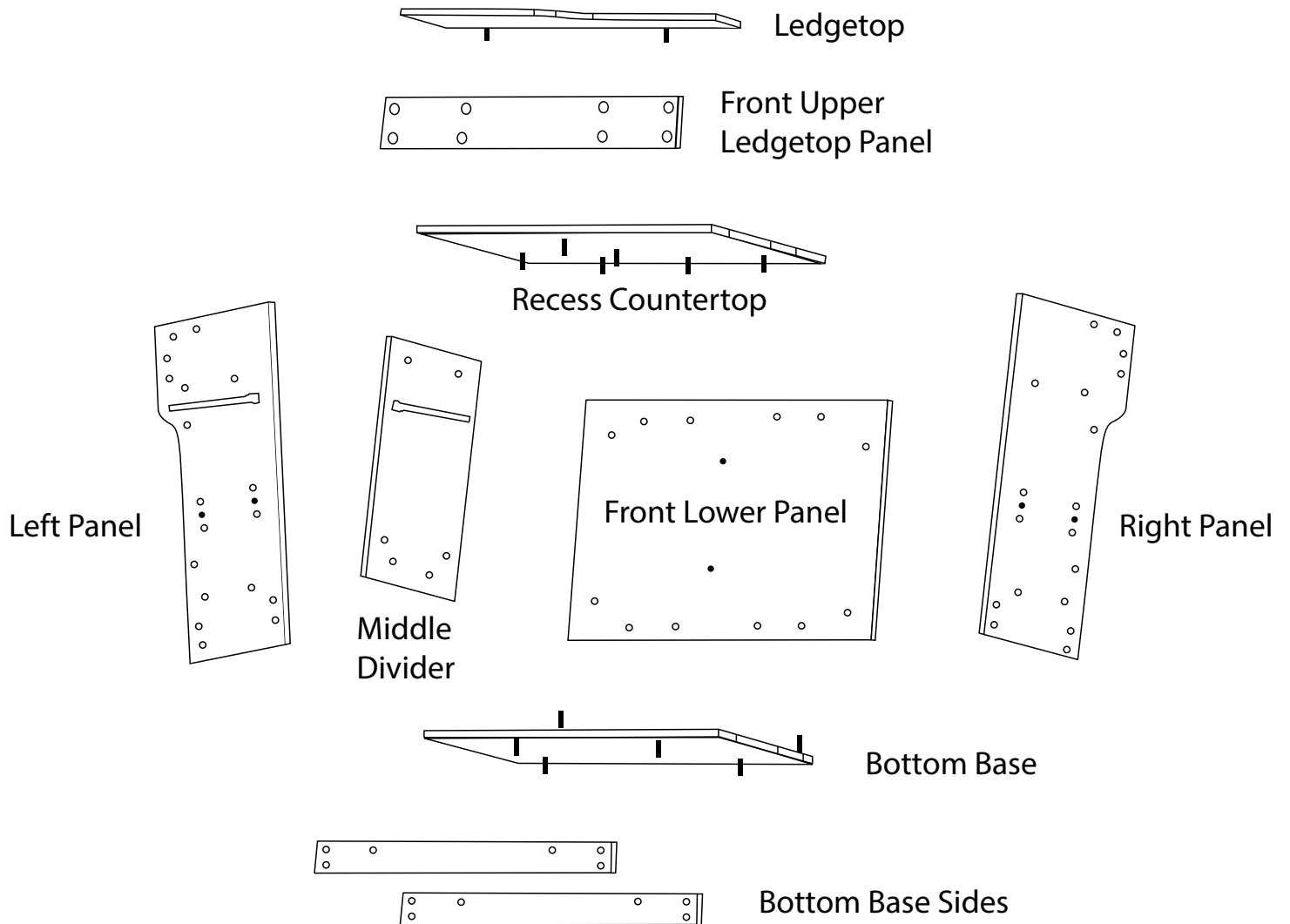
Shelf Clip (9)



White Round Stickers (13)

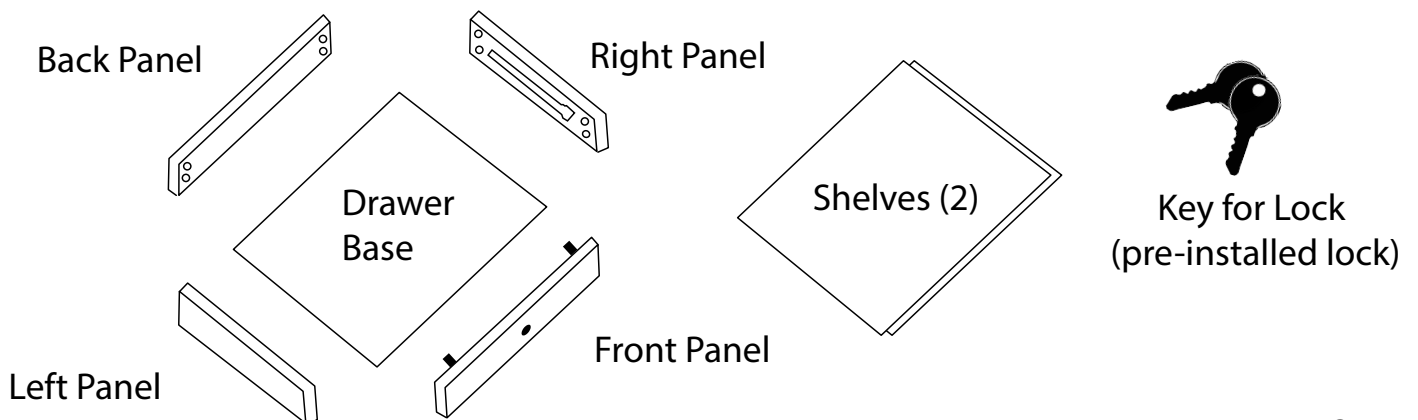
# Assembly Instruction Manual Ledge-top Counter

## Parts Included:



---

## Drawer Parts Included:

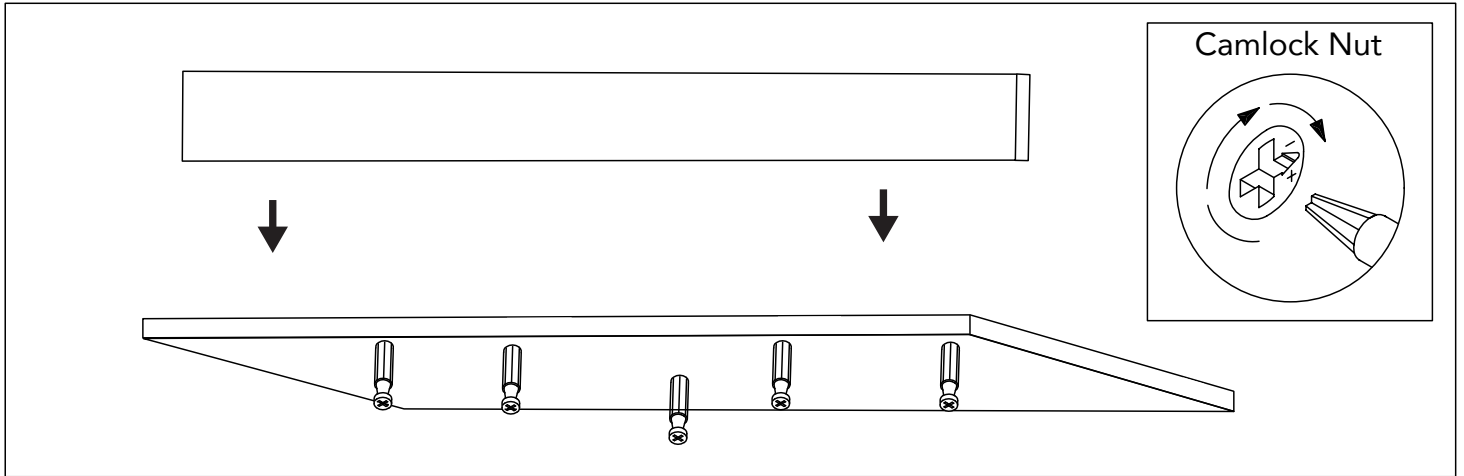


# Ledgetop Counter Assembly Instruction Manual

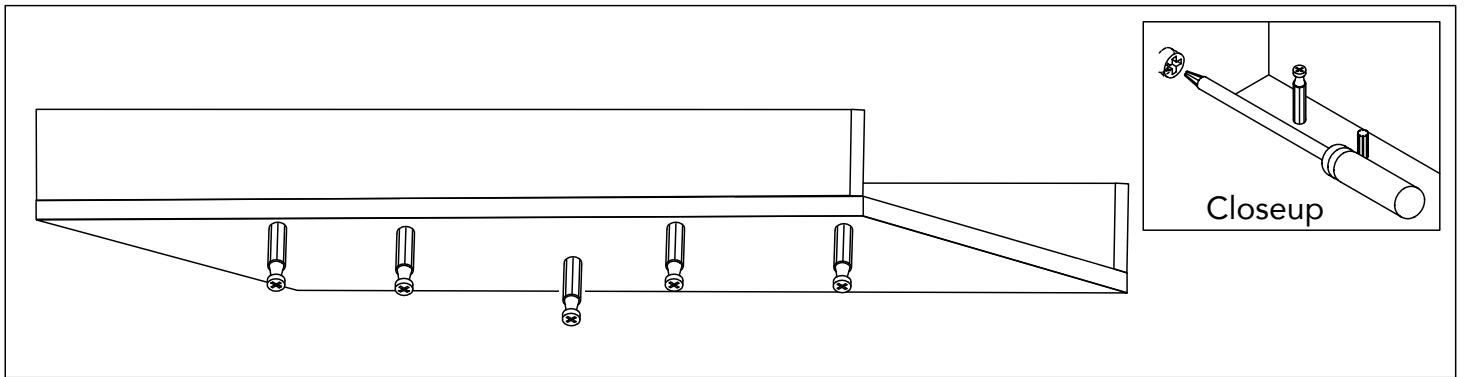
## Step 1

Screw cam lock pins in small holes of bottom base. Set bottom base sides on top of bottom base camlock pins. Make sure arrows on cam lock nuts are facing to the right. Then tighten with screw driver. Note: Hardware on bottom base sides should point inward. (See Diagrams)

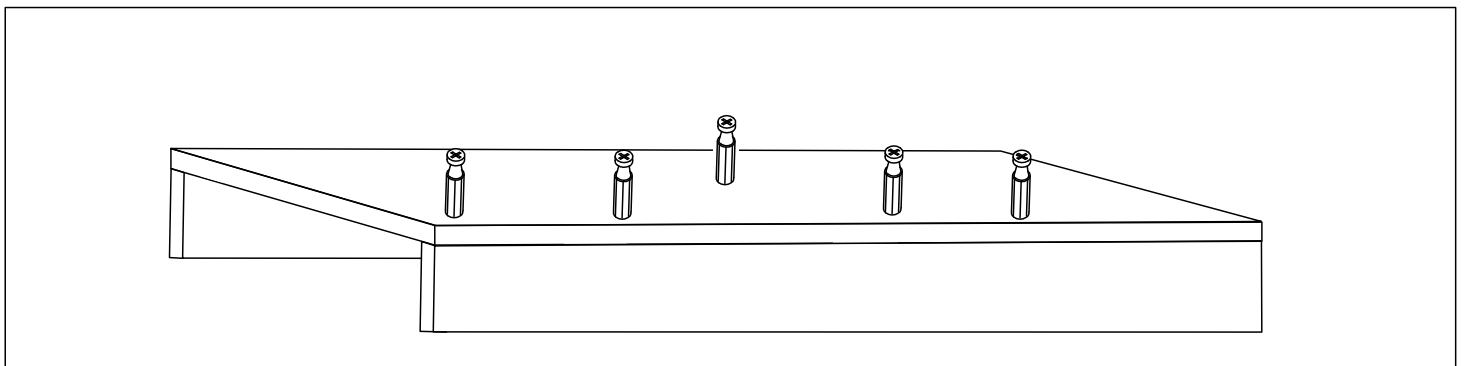
### Diagram 1A



### Diagram 1B



### Diagram 1C

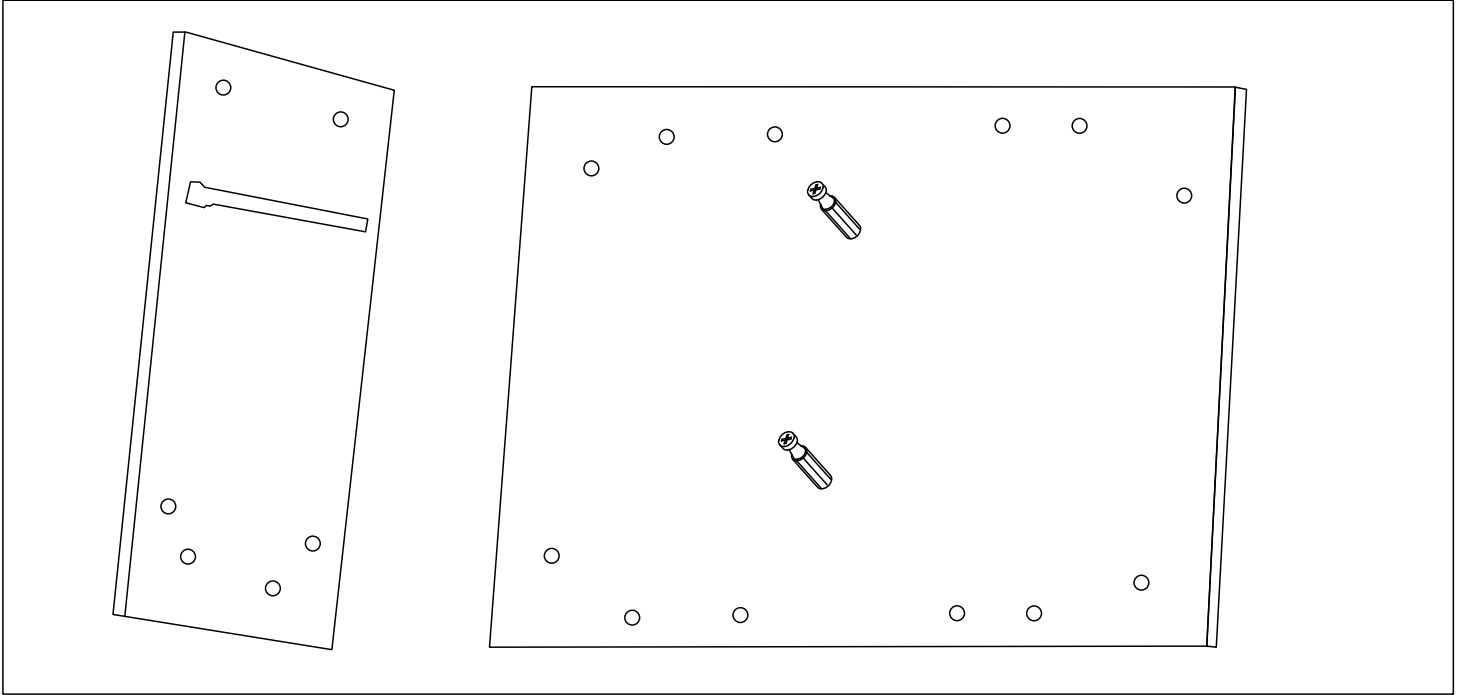


# Ledgetop Counter Assembly Instruction Manual

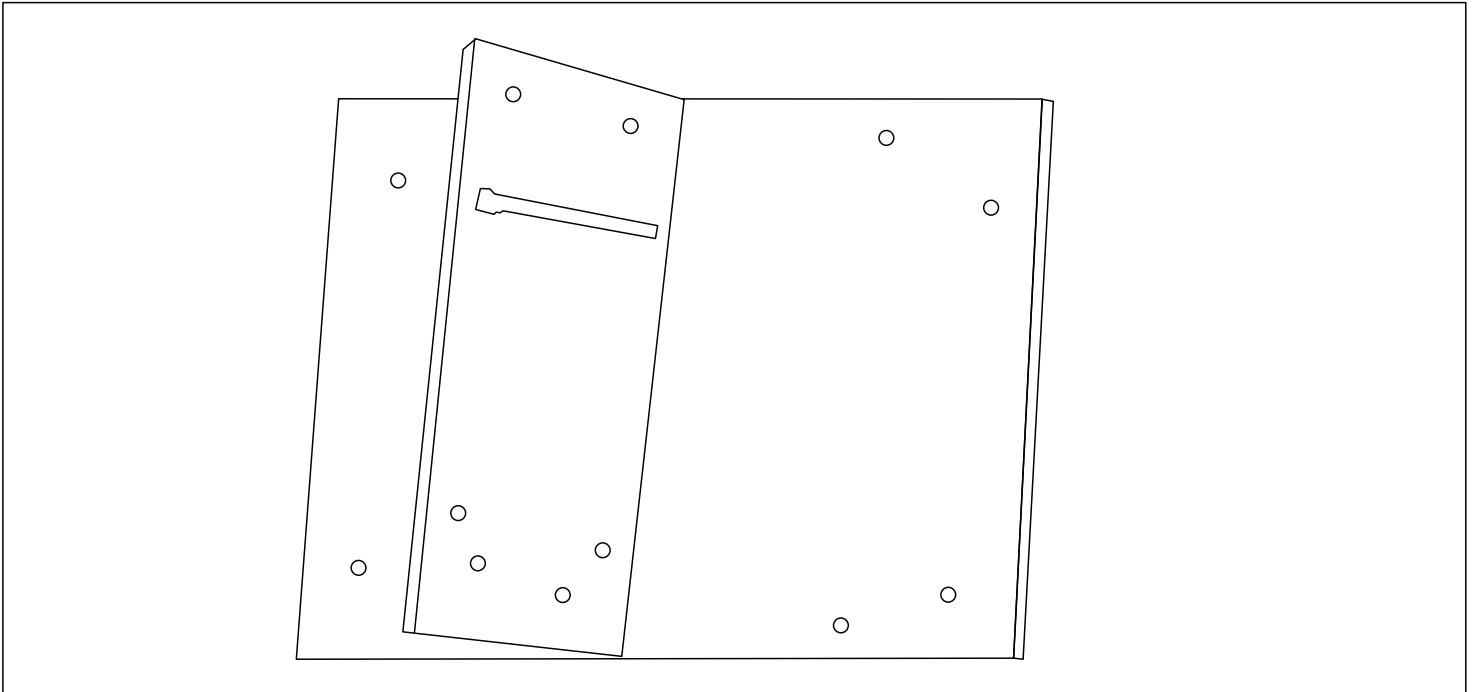
## Step 2

Screw cam lock pins in small holes of the front lower panel. Place middle divider on top of camlock pin holes. Make sure arrows on cam lock nuts are facing to the right. Then tighten with screw driver. (See Diagrams)

### Diagram 2A



### Diagram 2B

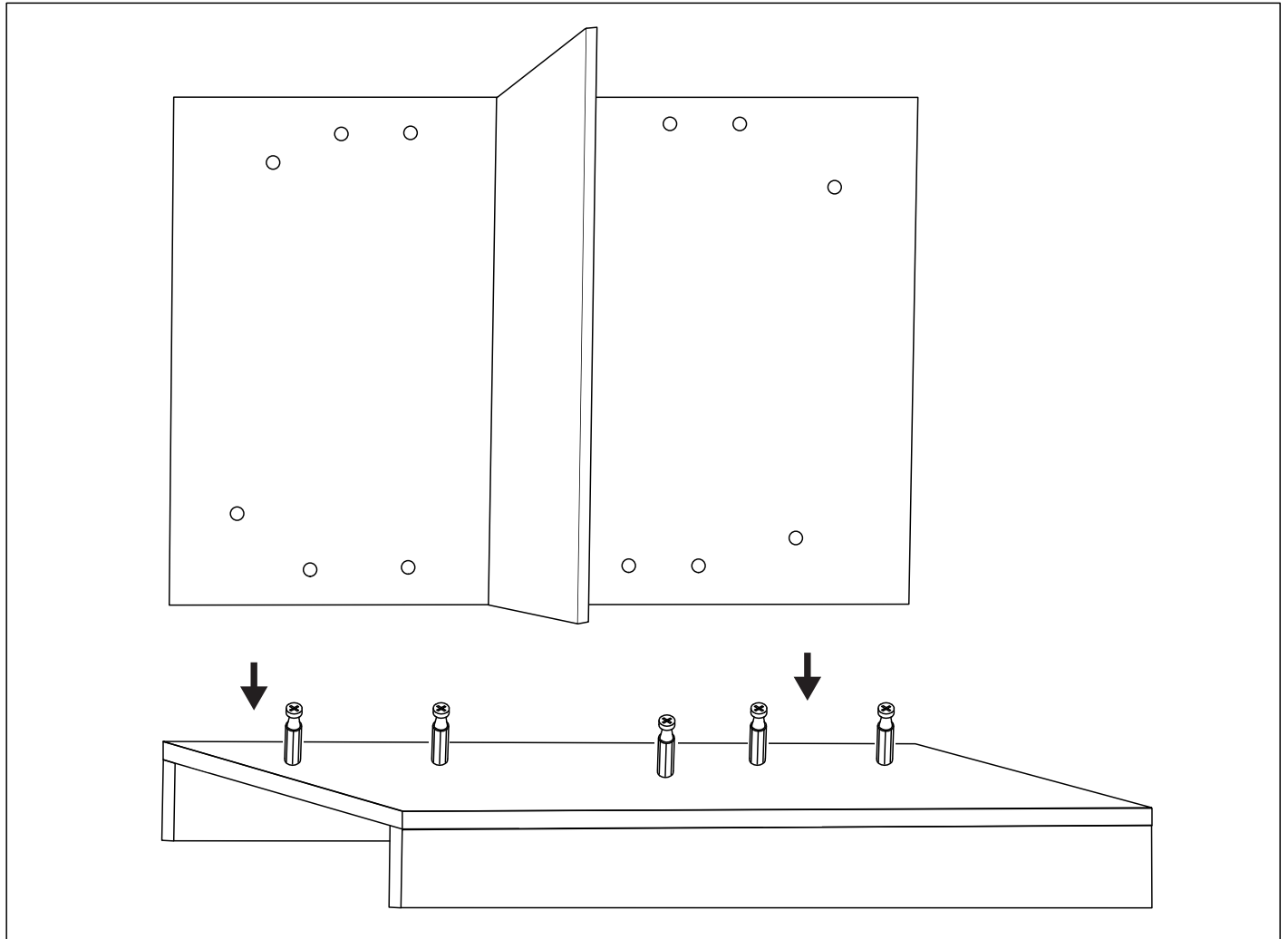


# Ledgetop Counter Assembly Instruction Manual

## Step 3

Line up front lower panel and middle divider on top of the bottom base camlock pins. Make sure arrows on cam lock nuts are facing to the right. Then tighten with screw driver. (See Diagram 3A)

Diagram 3A

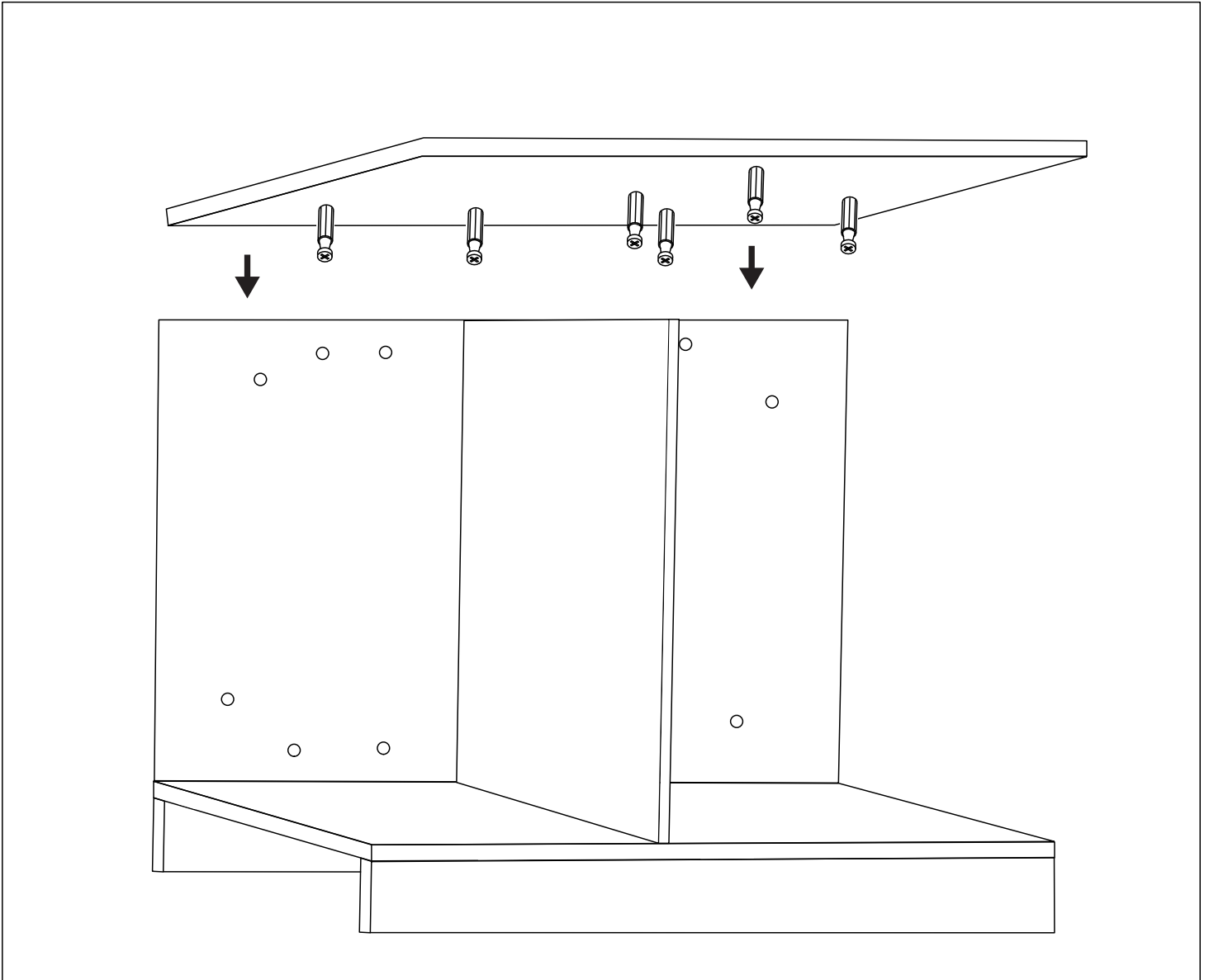


# Ledgetop Counter Assembly Instruction Manual

## Step 4

Place camlock pins into the the recessed countertop. Then place recessed countertop on top of the rest of the unit. Then tighten with screw driver. (See Diagram 4A)

Diagram 4A

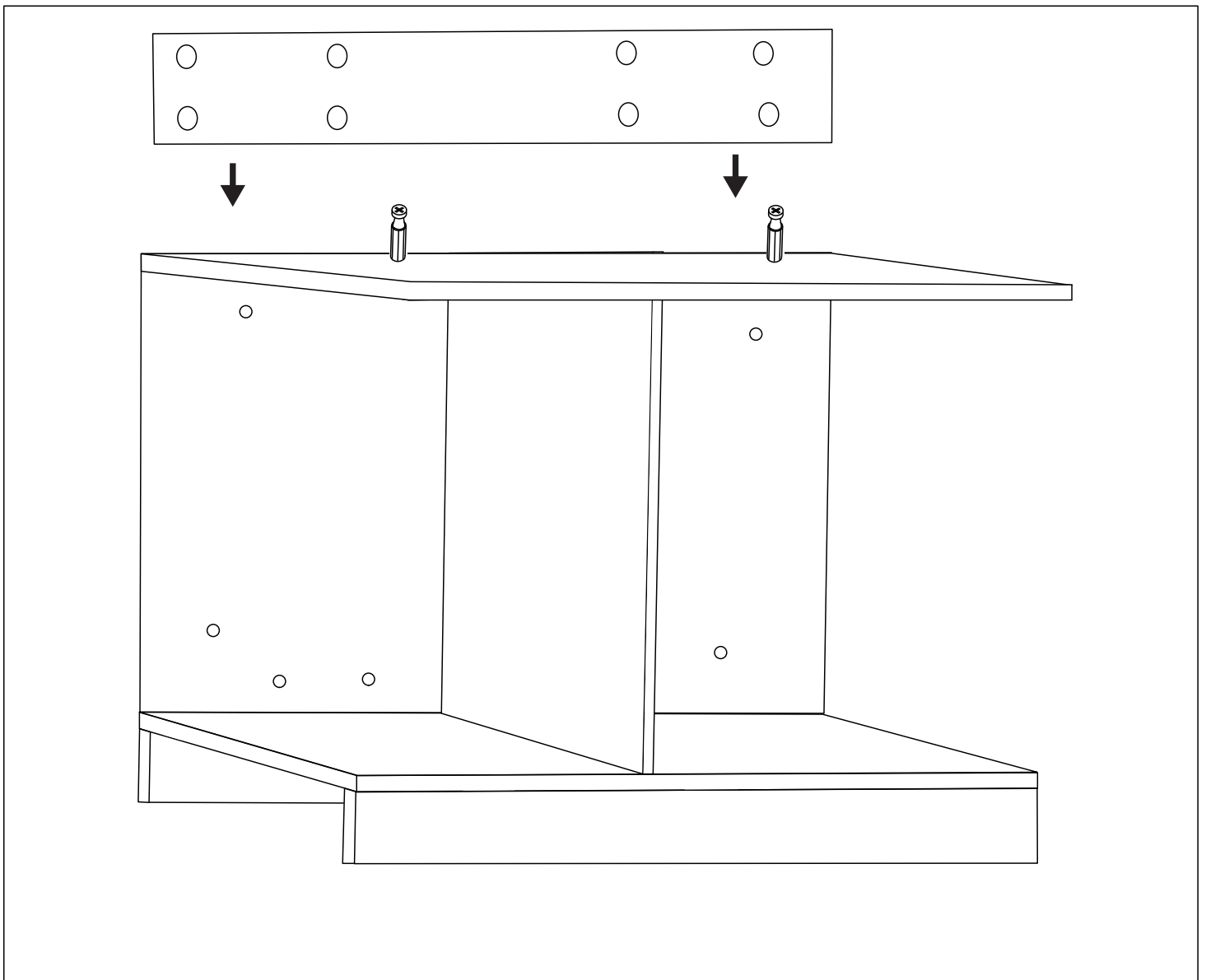


# Ledgetop Counter Assembly Instruction Manual

## Step 5

Place camlock pins on other side of the recessed countertop. Set front upper ledgetop panel on top of recessed countertop camlock pins. Then tighten with screw driver. (See Diagram 5A)

Diagram 5A



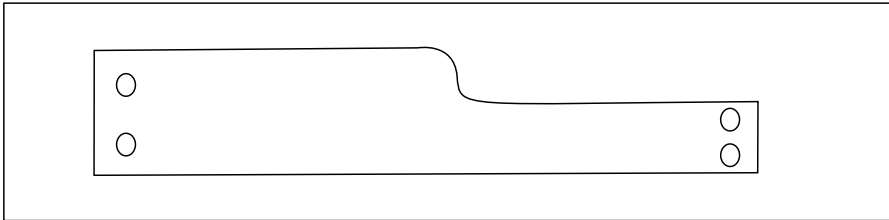


# Ledgetop Counter Assembly Instruction Manual

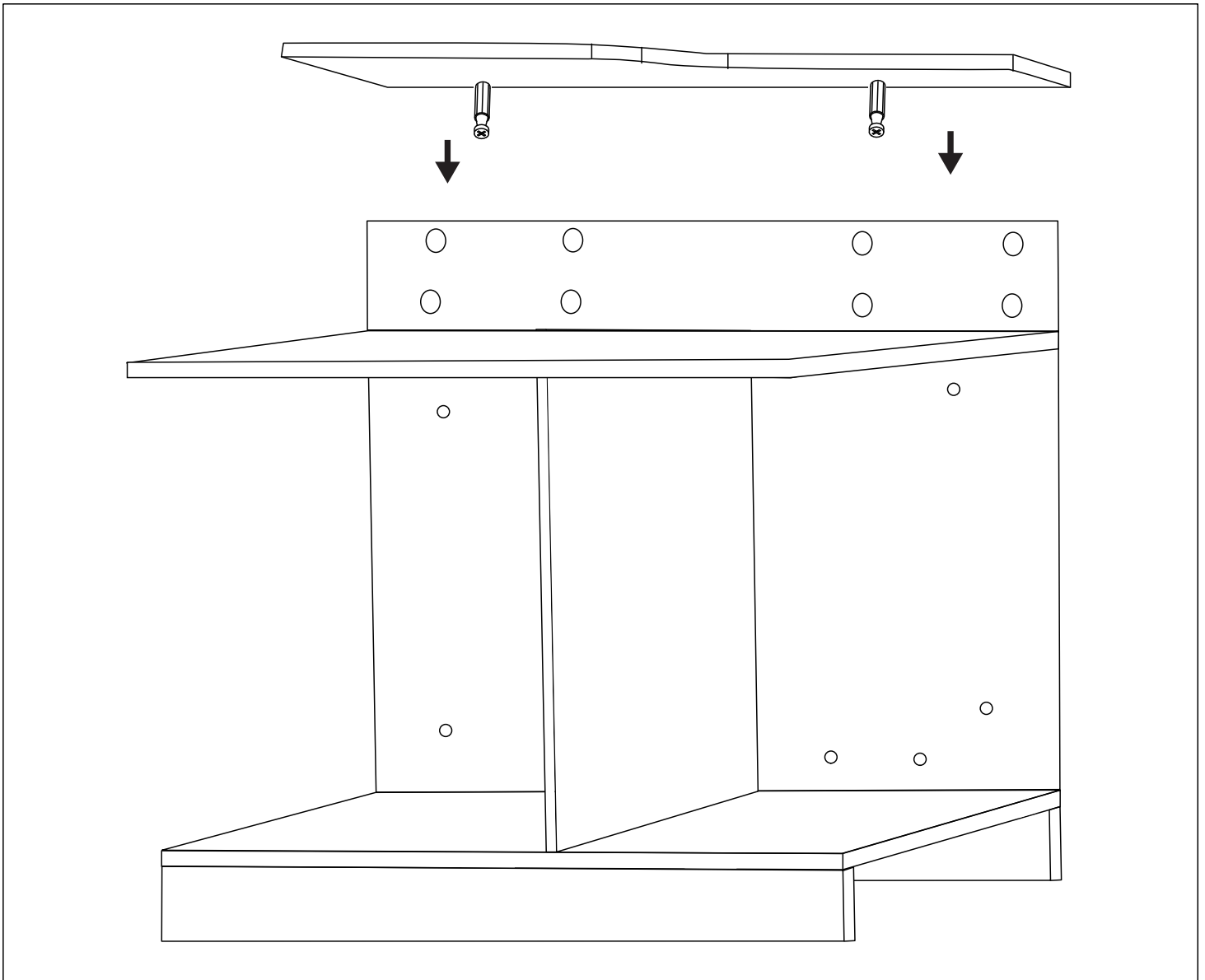
## Step 6

Place cam lock pins on ledgetop. Then set ledgetop on top of the recessed countertop. Then tighten with screw driver. (See Diagrams)

### Diagram 6A



### Diagram 6B

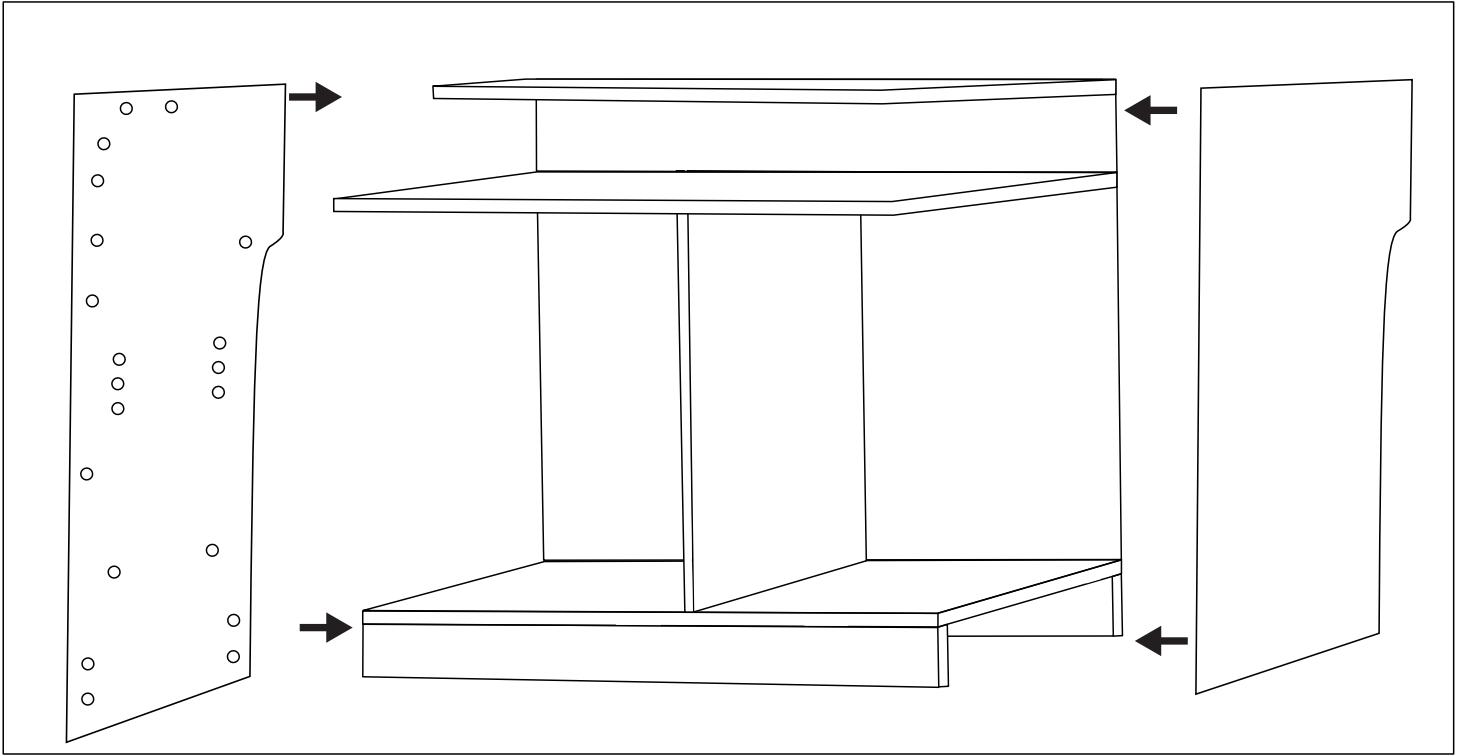


# Ledgetop Counter Assembly Instruction Manual

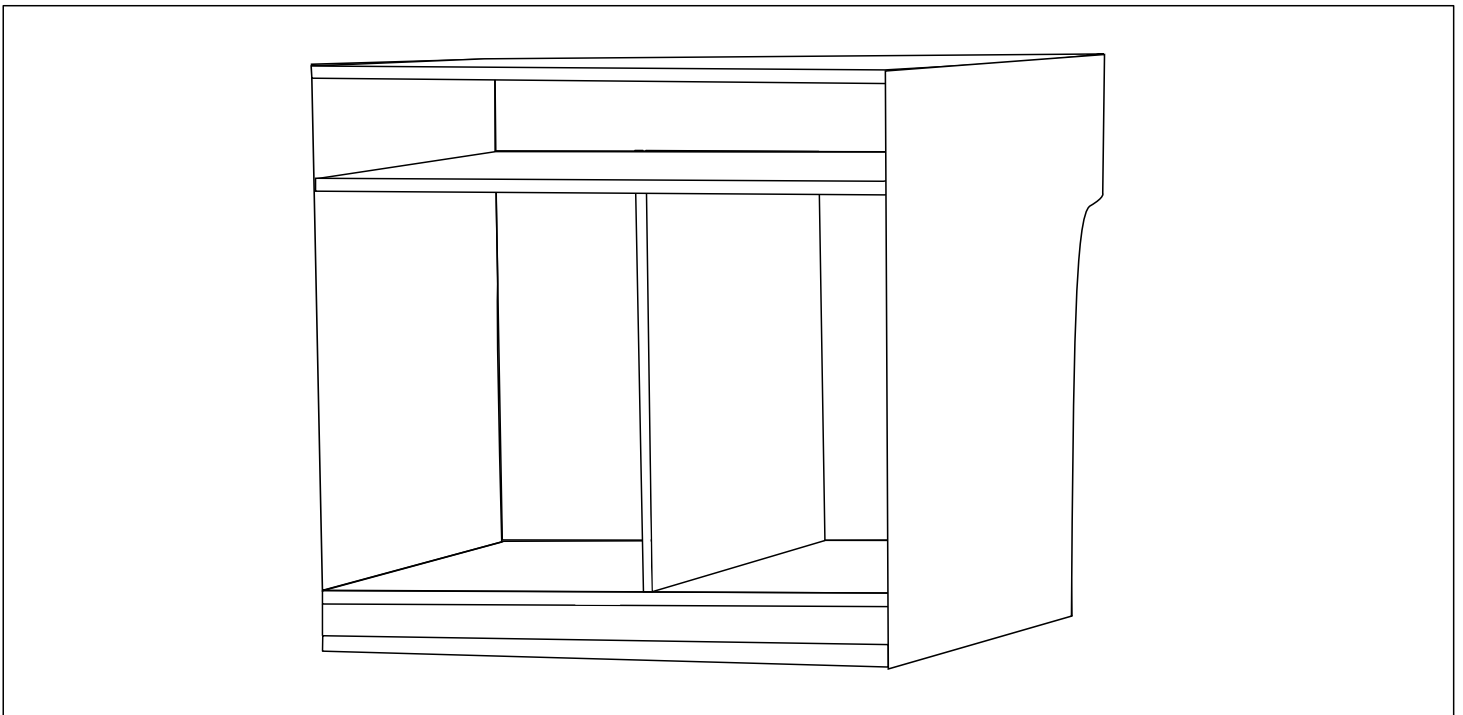
## Step 7

Place camlock pins on right and left panels. Attach panels to the rest of the unit. Then tighten with screw driver. (See Diagrams)

### Diagram 7A



### Diagram 7B

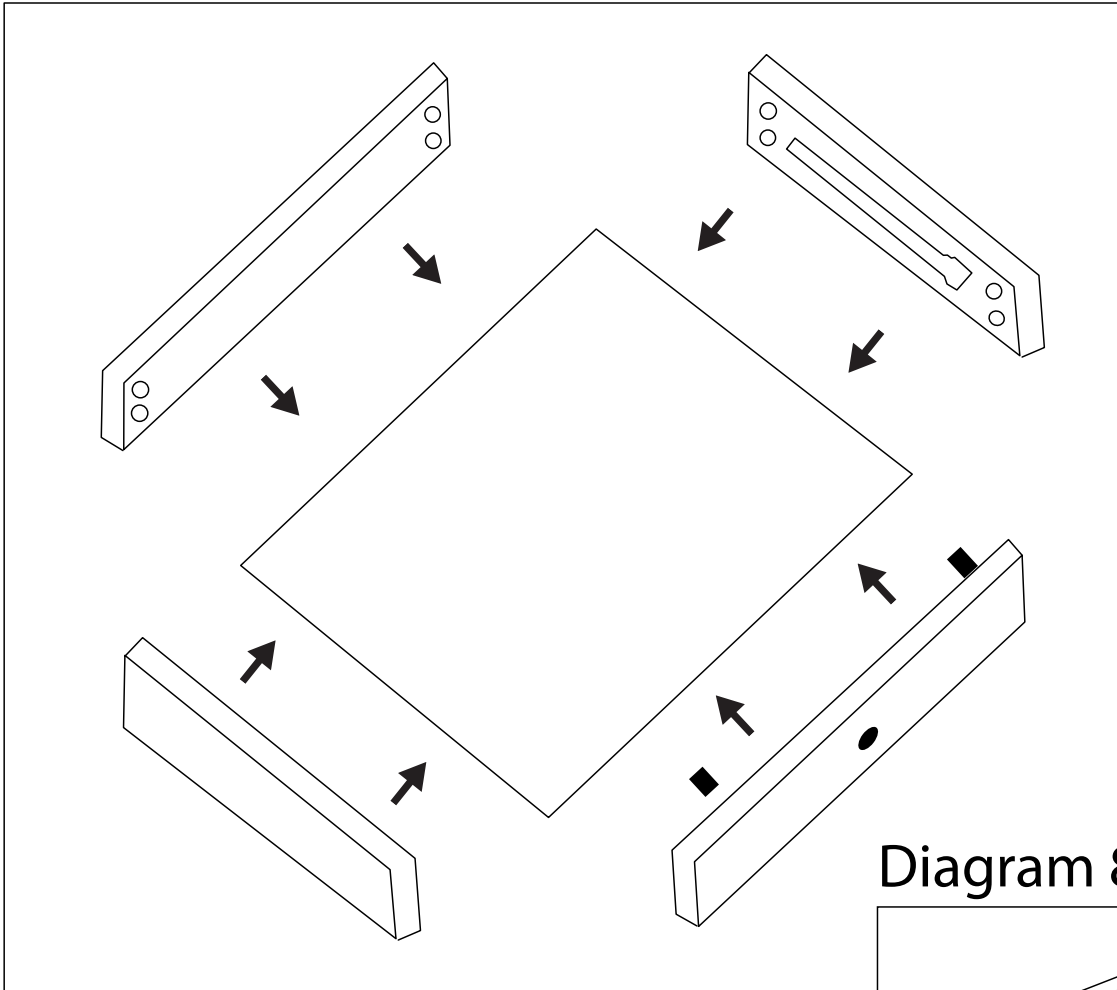


# Ledgetop Counter Assembly Instruction Manual

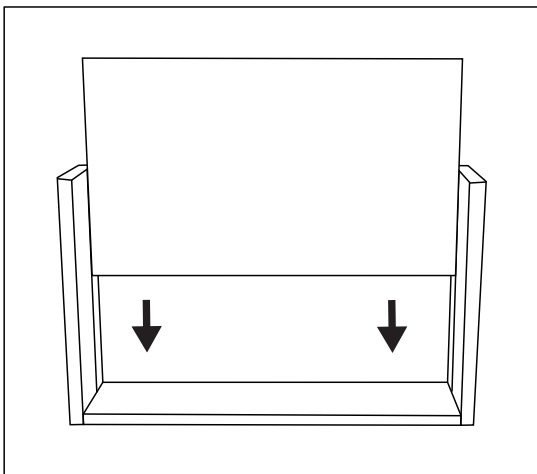
## Step 8

Attached left and right drawer panels to the front drawer panels with 1.25in screws. (See Diagram 8A) Slide drawer base along tracks of the right and left panels. (See Diagram 8B) attached back drawer panel to the rest of the drawer. Then tighten with screw driver.

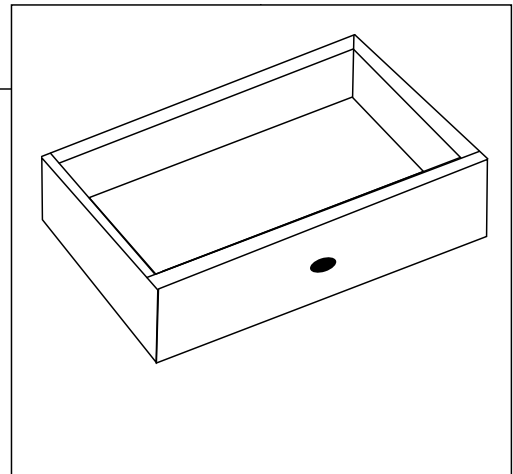
### Diagram 8A



### Diagram 8B



### Diagram 8C



# Ledgetop Counter Assembly Instruction Manual

## Step 9

Set drawer and shelves into unit. Your unit is now complete. (See Diagram)

