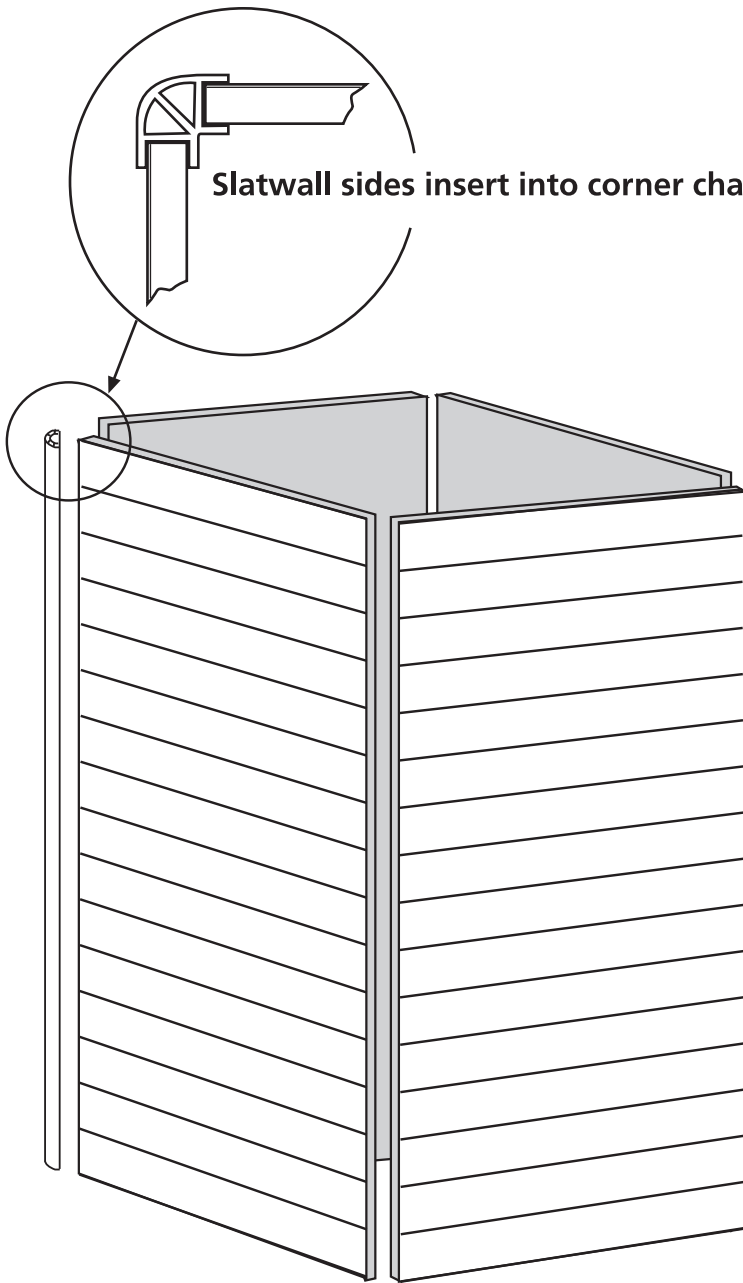
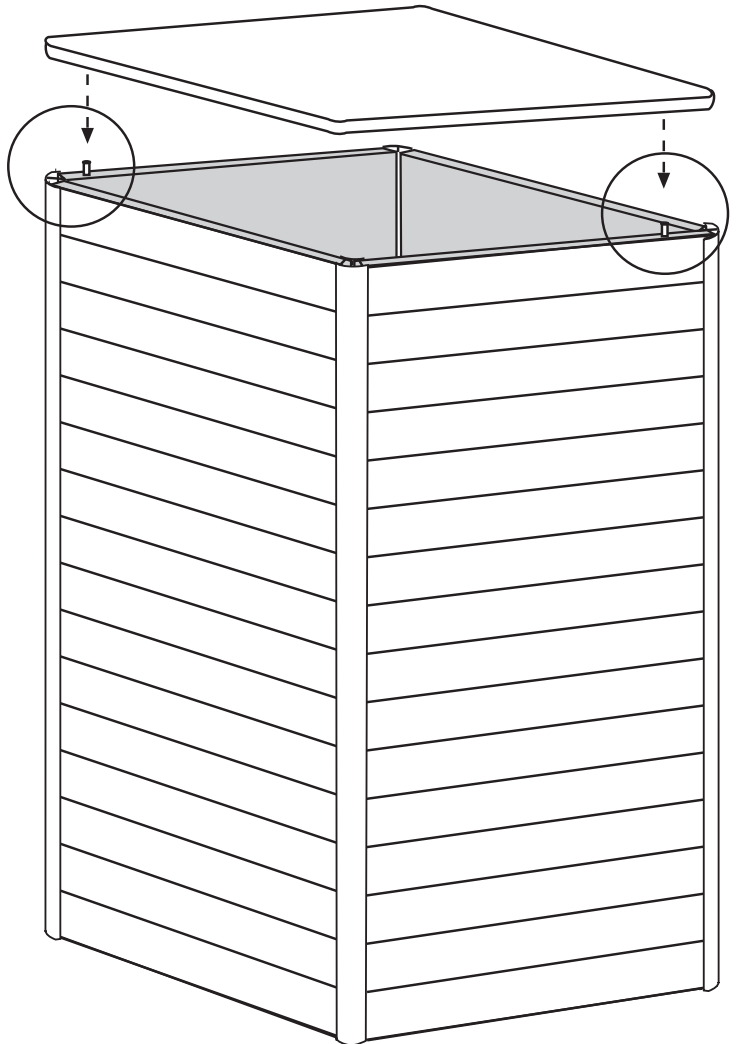


SLATWALL TOWER WITH OPTIONAL BASE



Insert the two dowel pins as shown, align with holes on underside of top and attach.



Insert the two dowel pins as shown, align with holes on underside of slatwall sides and set tower on base.

