

2-WAY RACK ASSEMBLY INSTRUCTIONS

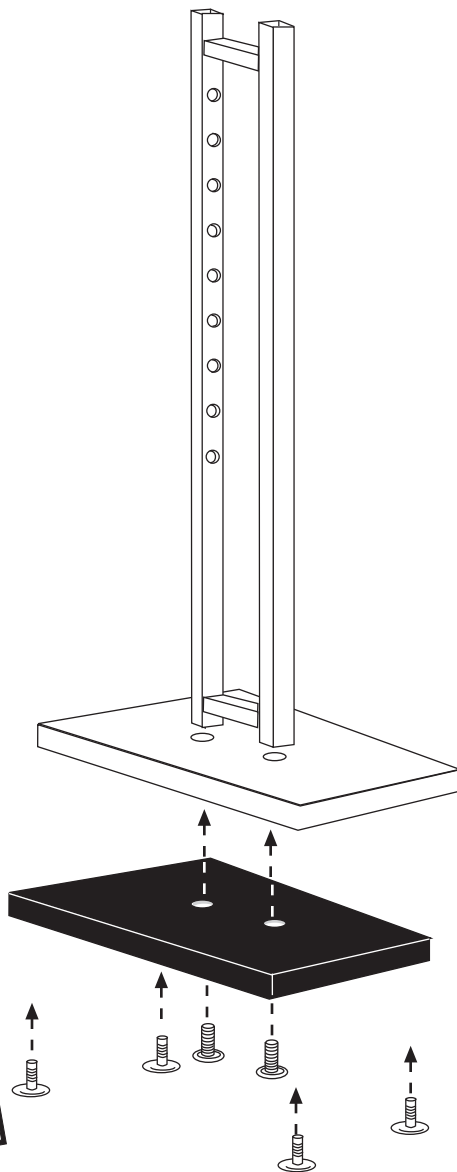
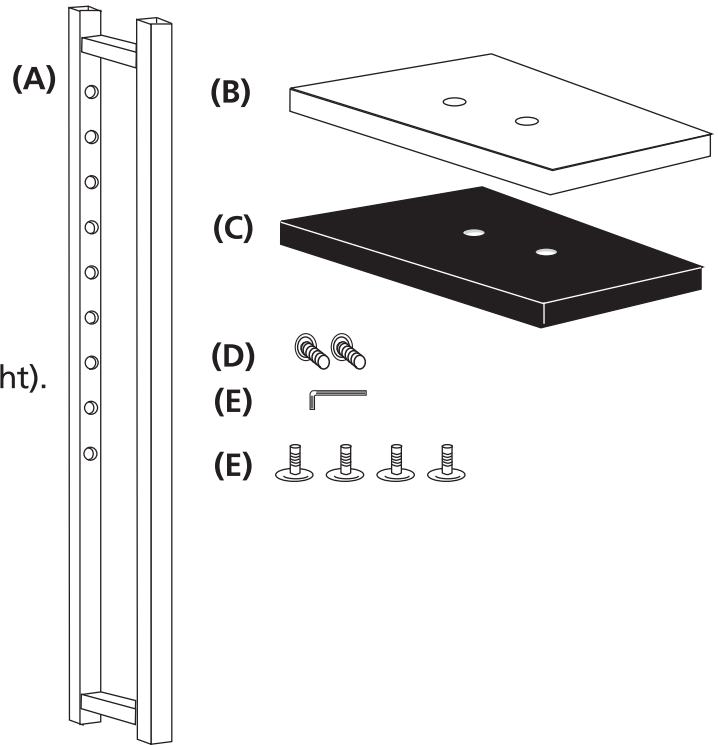
- Identify all parts and review all instructions before beginning.
- Refer to the lower illustration for detailed alignment of the parts

PARTS LIST

Upright/Base Assembly

- (A) 1- Upright
- (B) 1- Base cover plate
- (C) 1- Base weight
- (D) 2- Bolts (removed from bottom of upright).
- (E) 1- Allen wrench
- (F) 4- Adjustable levelers

2- Adjustable Rack Arms (not shown)



INSTRUCTIONS

- (1) Remove the 2 bolts (part D) from upright (part A).
- (2) Insert base weight (part C) into base cover plate (part B).
- (3) Position the upright (part A) over holes in base.
- (4) Attach upright through base cover plate part B) and weight (part C) with the two bolts (part D)..
- (5) Tighten bolts securely with wrench (part E).
- (6) Screw in levelers (part F)

Finally, Slide in arms (pushing buttons) to desired height. Adjust leveler glides as necessary.

