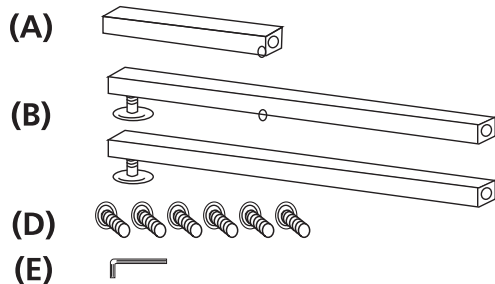


4-WAY RACK ASSEMBLY INSTRUCTIONS

- Identify all parts and review all instructions before beginning.
- Refer to the lower illustration for detailed alignment of the parts

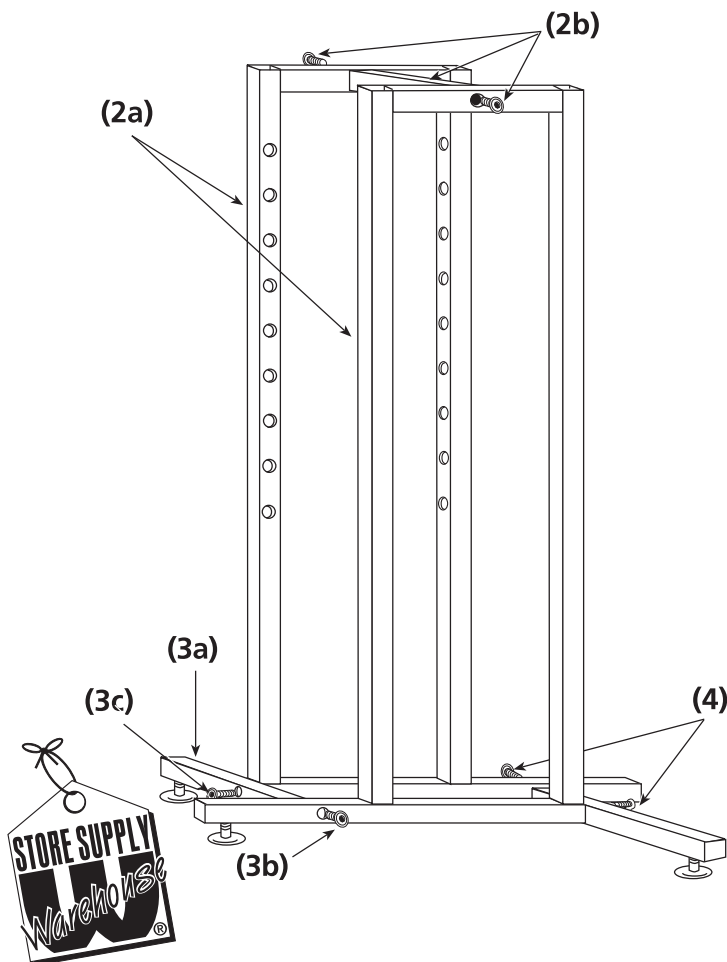
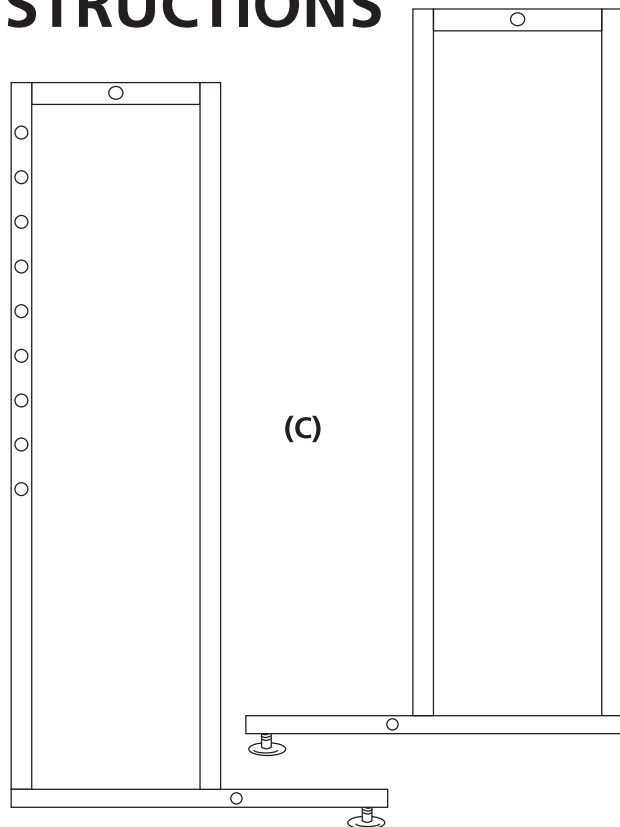


PARTS LIST

Base Assembly

- (A) 1- 8 inch spanner bar
- (B) 2- 21 1/2 inch base bar w/leveler
- (C) 2- 47 inch uprights
- (D) 6- Bolts (removed from spanner bar and base bars)
- (E) 1- Allen wrench

4- Adjustable Rack Arms (not shown)



INSTRUCTIONS

(1) Remove all bolts from spanner bar (part A) and base bars (part B).

(2a) Place the two uprights (part C) with the legs facing in opposite directions and with the button holes for the arms facing inside (toward the other upright).

(2b) Place the spanner bar (part A) between the top of the two uprights and attach with two of the bolts (part D).

(3a) Position the base bar (part B) with the leveler toward the bottom.

(3b) Attach the end of one of the base bars to the middle of the upright with one of the bolts

(3c) Place a second bolt through the middle of the base bar and attach to the end of the other upright.

(4) Attach the other base bar on the other side of the uprights in the same manner.

(5) When all parts are attached, tighten all 6 bolts.

Slide in arms (pushing buttons) to desired height.